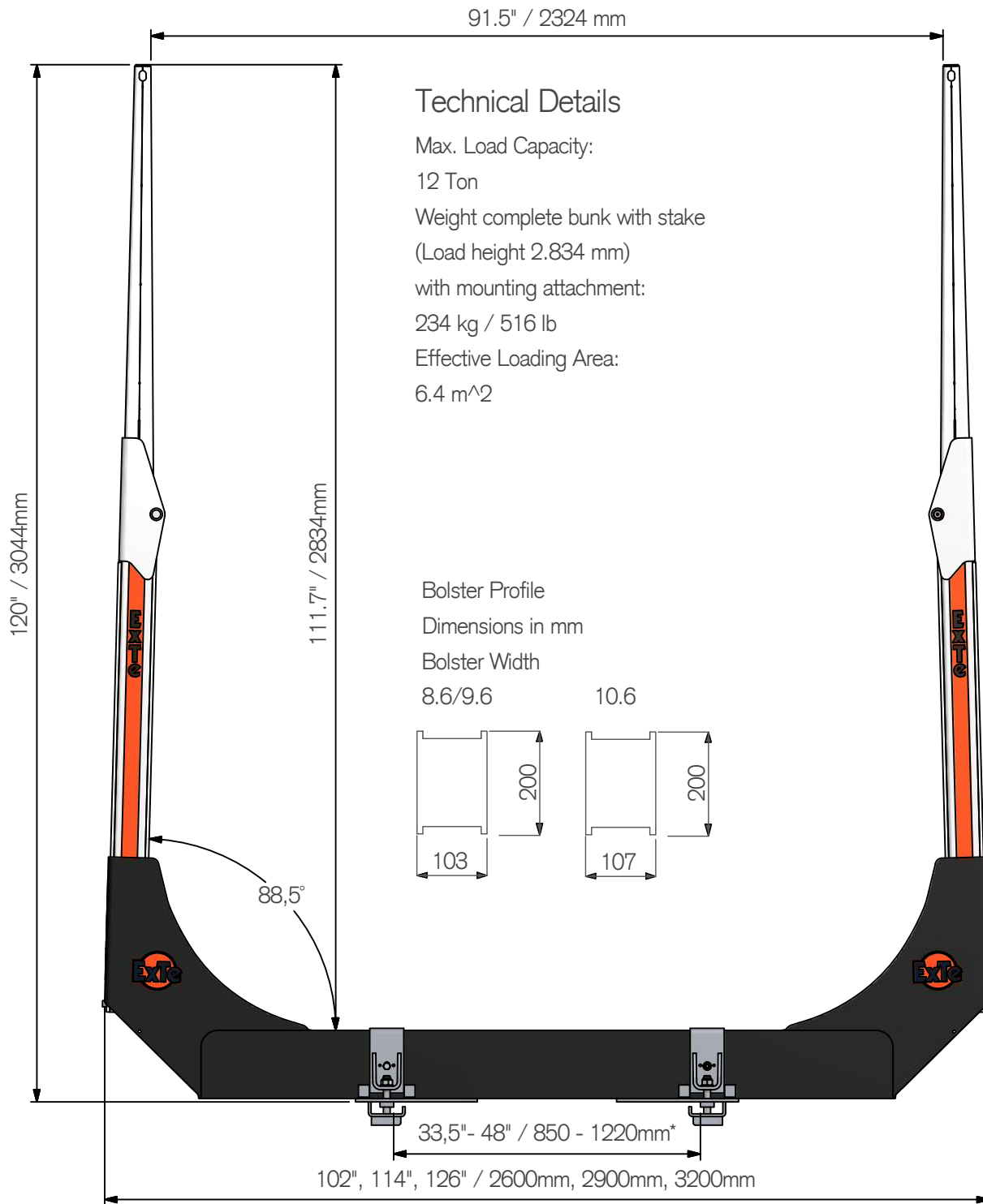


S - Series

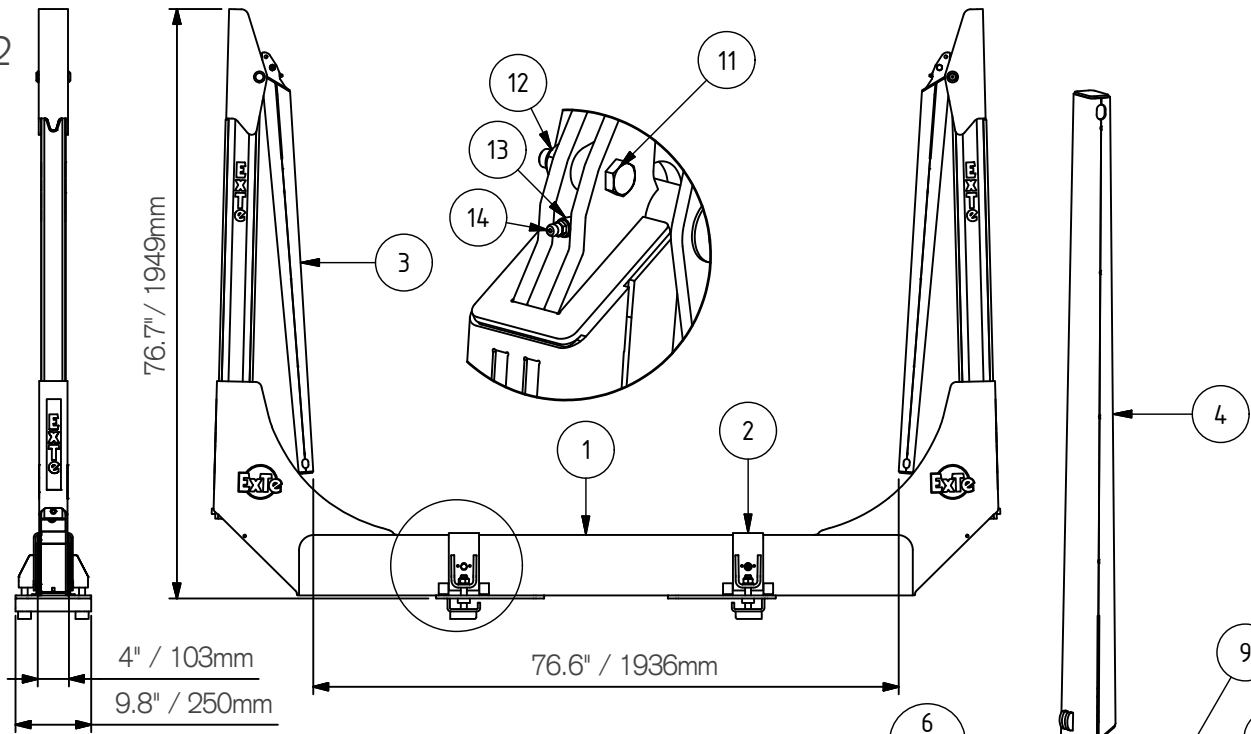
S12 F



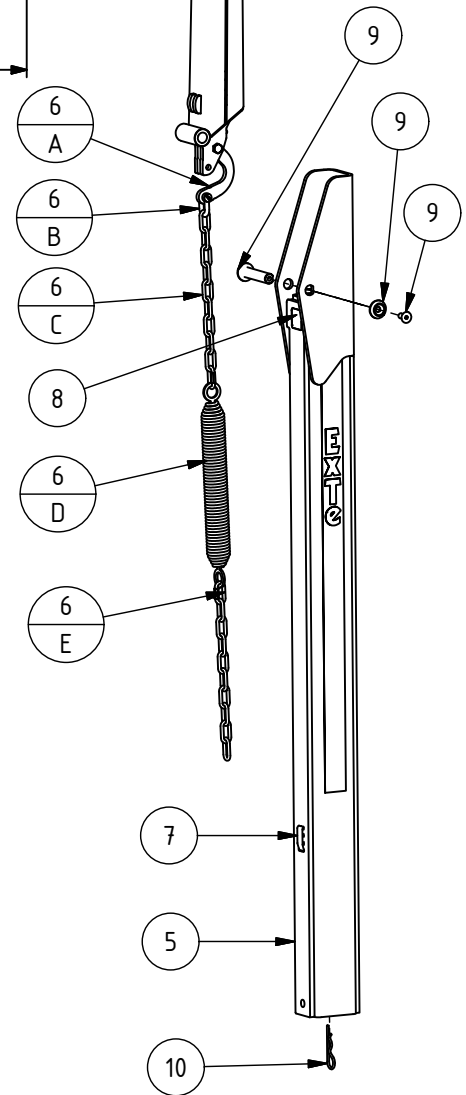
ExTe

Securing cargo. We invented the concept.

*Limited only for width 104"



Pos.	Part No.	Description	Weight
1	810894	Bolster S12 8.6 / 2600mm	105 kg / 231 lb
1	811224	Bolster S12 9.6 / 2900mm	111 kg / 245 lb
1	810890	Bolster S12 10.6 / 3200mm	134 kg / 295 lb
2	800795	Clamping Attachment 8.6/9.6	15.5 kg / 33 lb
2	810909	Clamping Attachment 10.6	24 kg / 53 lb
3	811200	Foldable Stake S12 120"	47 kg / 104 lb
3	811213	Foldable Stake S12 117.5"	
3	811214	Foldable Stake S12 115"	
3	811215	Foldable Stake S12 112.5"	
4	811202	Top Stake 120"	14 kg / 30 lb
4	811216	Top Stake 117.5"	
4	811217	Top Stake 115"	
4	811218	Top Stake 112.5"	
5	811201	Bottom Stake	31 kg / 68 lb
6	811203	Spring Kit	2,4 kg / 5,3 lb
6A	811209	*Cam	--
6B	171010	*Shackle 10mm	--
6C	171008	*Chain	--
6D	811208	*Spring	--
6E	171009	*Quick Link	--
7	811206	Bolster Rubber	--
8	811205	Hinge Rubber	--
9	811210	Pin Kit	0,3 kg / 0,7 lb
10	811204	Locking Pin	--
11	211014	M10 x 50 8.8	--
12	800165	M10 Loc-K	--
13	811207	Extension For Grease Nipple	--
14	800166	Grease Nipple M6x1	--
15	811211	Decal Kit Bolster	--
16	811212	Decal Kit Stake	--



Drill $\varnothing 13$ thru bolster for sidewise locking of bunk.

ExTe

Securing cargo. We invented the concept.