

SECTION **7-3**
758 SERIES

7-3-2 [B3758](#)

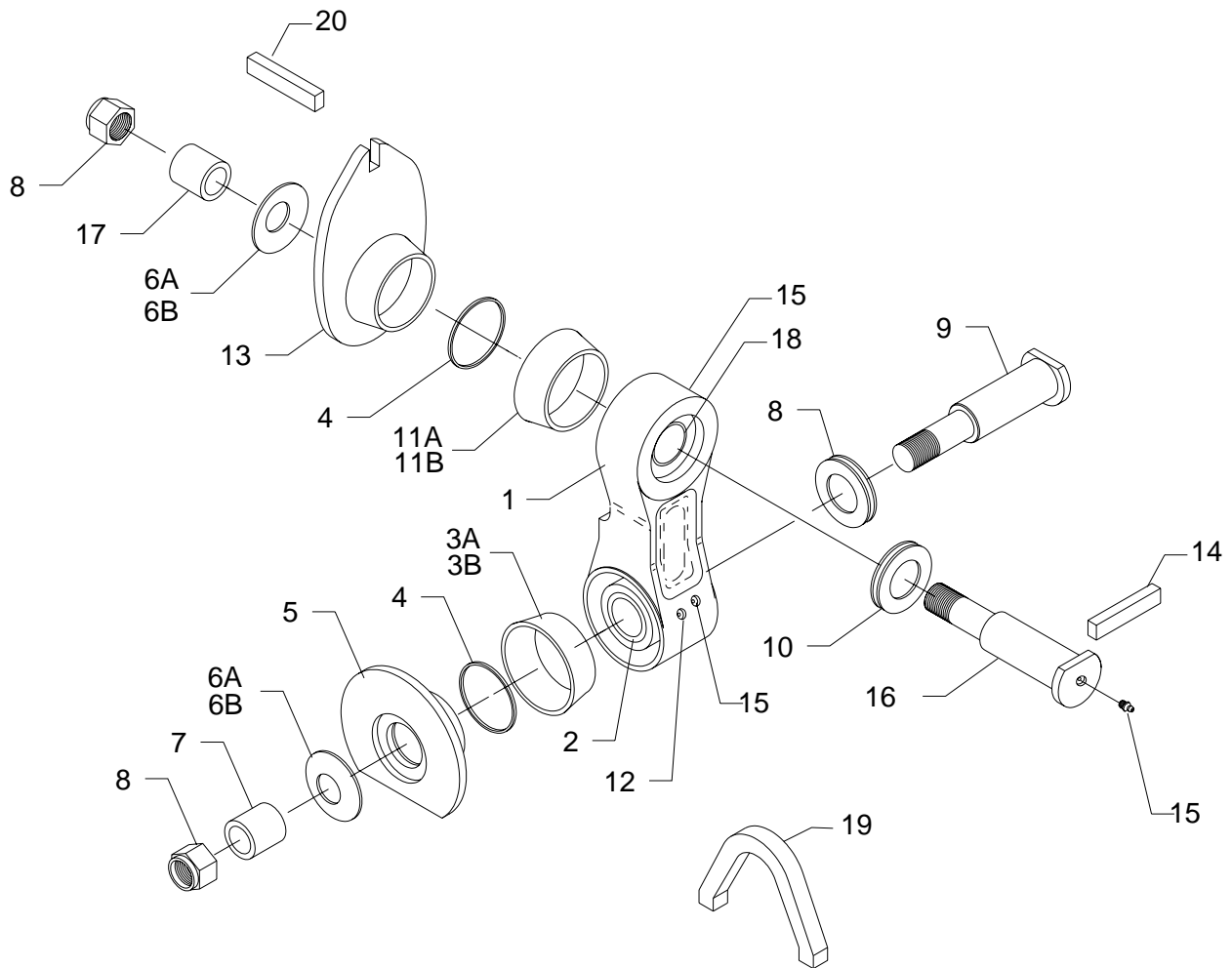
7-3-4 [B3758-1](#)

INTERNAL MOUNT

100 mm ID ROTATOR X 80 mm ID CRANE TIP

DOUBLE

B3758



**CRF8 CRANAB CRANE
LOGLIFT CRANE**

INTERNAL MOUNT

DOUBLE

B3758

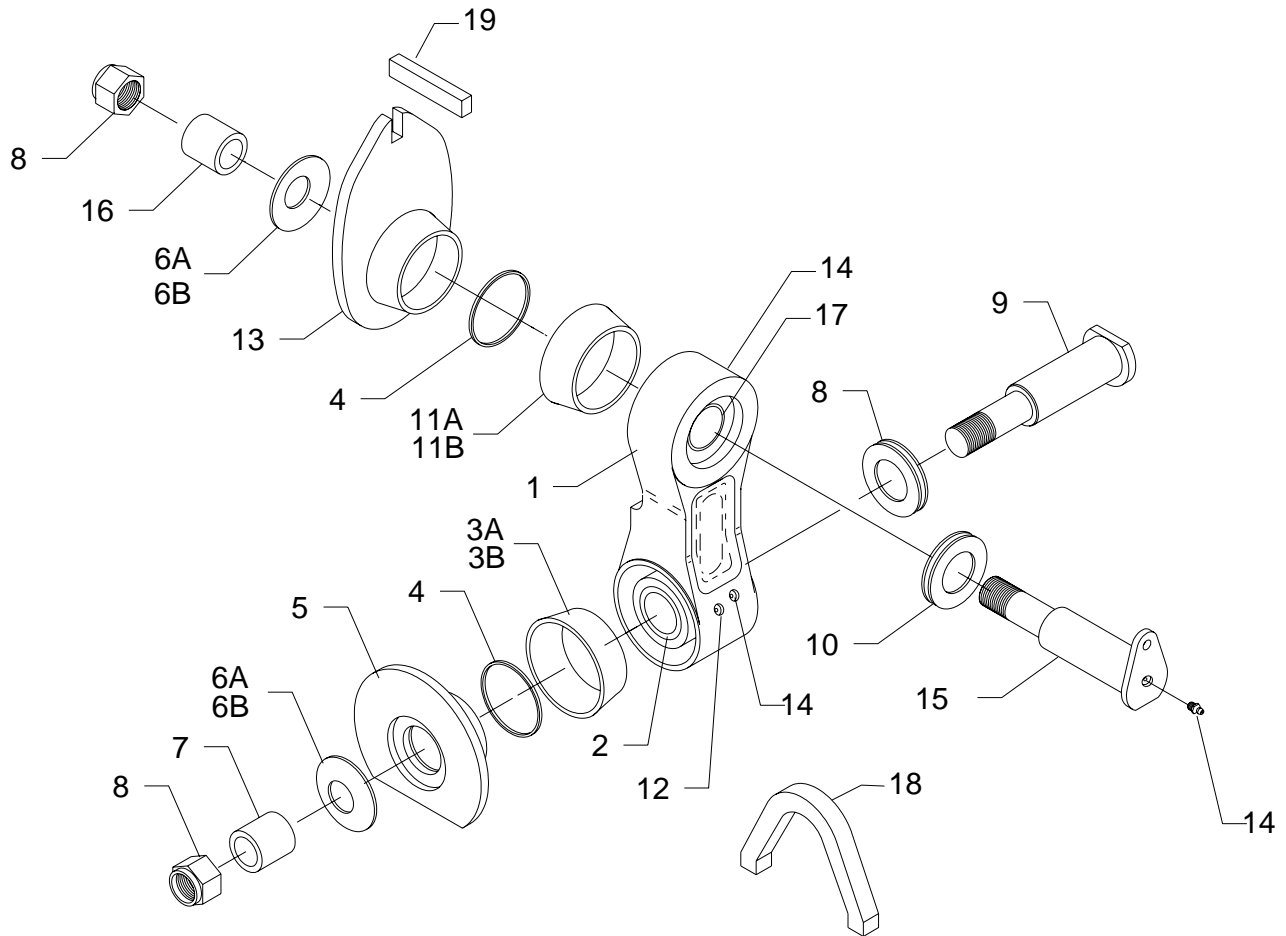
ITEM	PART#	DESCRIPTION	QTY
1	B3T-950	DOUBLE LINK	1
2	B3T-980B	BUSHING – ROTATOR – HARD BRONZE	1
3A	B3T-760	FRICTION SLEEVE – COMPOSITE	1
3B	B3T-865	FRICTION SLEEVE - ZINC	1
4	B3T-825	O-RING, USE WITH B3T-760 & B3T-960 COMP	1
5	B3T-1385	CORE - ROTATOR	1
6A	B3T-775	SPRING WASHER, 5mm USE WITH B3T-865 ZINC	2
6B	B3T-890	SPRING WASHER, 4mm USE WITH B3T-760 COMP	2
7	B3T-770	TENSION COLLAR 2" (50.8 mm) LONG	1
8	B3T-800	NUT 1 3/8" – 12 NYLOCK JAM	2
9	B3T-780	PIN 220 mm LONG	2
10	B3T-1035	BEARING	2
11A	B3T-960	FRICTION SLEEVE – COMPOSITE	1
11B	B3T-955	FRICTION SLEEVE – ZINC	1
12	B3T-1190	PLUG, USE WITH COMPOSITE SLEEVE	2
13	B3T-1400	CORE, TOP SLOT 18mm	1
14	B3T-840	PIN LOCK	1
15	B3T-1130	ZERK 1/4-28 STRAIGHT	4 / 6
16	B3T-965	PIN 170 mm FOR 130 mm O.D. CRANE	1
17	B3T-970	TENSION COLLAR 1 3/8" (35 mm) LONG	1
18	B3T-985	BUSHING - TOP	1
19	B3T-1390	BOOMERANG, WELD TO B3T-1385 CORE	1
20	B3T-1370	CORE LOCK, TOP SLOT 18mm THICK	1

INTERNAL MOUNT

100 mm ID ROTATOR X 80 mm ID CRANE TIP

DOUBLE

B3758-1



**CRF8 CRANAB CRANE
LOGLIFT CRANE**

ITEM	PART#	DESCRIPTION	QTY
1	B3T-950	DOUBLE LINK	1
2	B3T-980B	BUSHING – ROTATOR - HARD BRONZE	1
3A	B3T-760	FRICTION SLEEVE – COMPOSITE	1
3B	B3T-865	FRICTION SLEEVE - ZINC	1
4	B3T-825	O-RING, USE WITH B3T-760 & B3T-960 COMP	1
5	B3T-1385	CORE - ROTATOR	1
6A	B3T-775	SPRING WASHER, 5mm USE WITH B3T-865 ZINC	2
6B	B3T-890	SPRING WASHER, 4mm USE WITH B3T-760 COMP	2
7	B3T-770	TENSION COLLAR 2" (50.8 mm) LONG	1
8	B3T-800	NUT 1 3/8" – 12 NYLOCK JAM	2
9	B3T-780	PIN 220 mm LONG	2
10	B3T-1035	BEARING	2
11A	B3T-960	FRICTION SLEEVE – COMPOSITE	1
11B	B3T-955	FRICTION SLEEVE – ZINC	1
12	B3T-1190	PLUG, USE WITH COMPOSITE SLEEVE	2
13	B3T-945	CORE – TOP – SLOT 18mm	1
14	B3T-1130	ZERK 1/4-28 STRAIGHT	4 / 6
15	B3T-1275	PIN CRF8 CRANE OR LOGLIFT	1
16	B3T-970	TENSION COLLAR 1 3/8" (35 mm) LONG	1
17	B3T-985	BUSHING - TOP	1
18	B3T-1390	BOOMERANG, WELD TO B3T-1385 CORE	1
19	B3T-1370	CORE LOCK, TOP SLOT 18mm THICK	1