

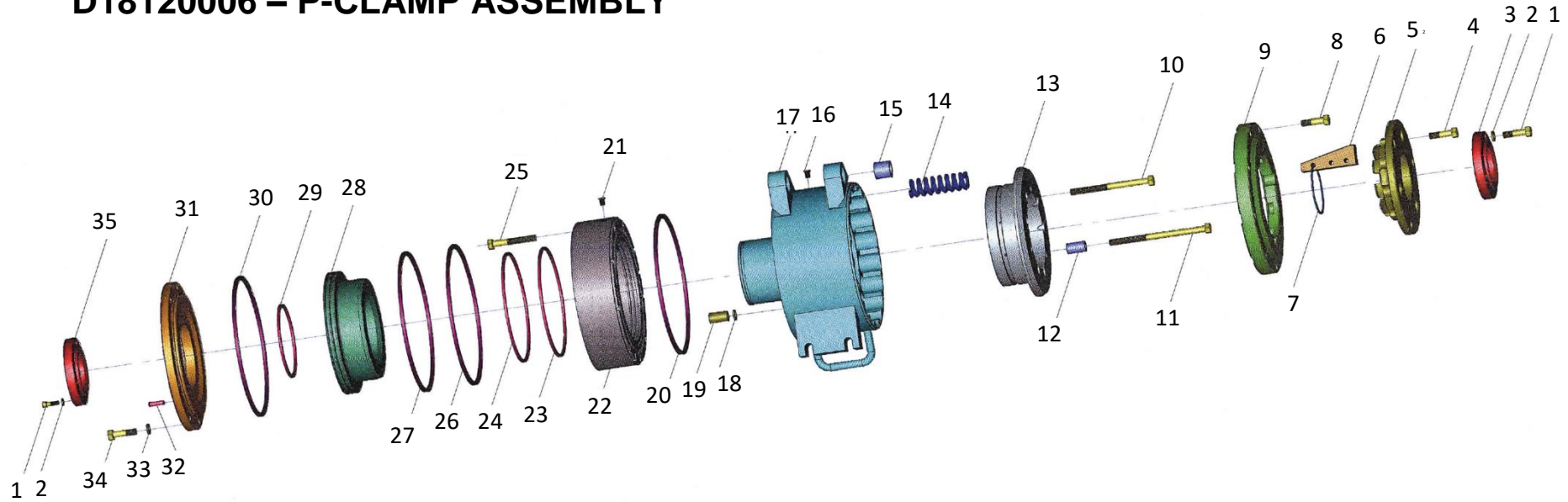
Item Number	Part Number	Description	Qty
1	D011153	1/4-20UNC x 1" Socket Cap	6
2	D1/4LW8P	1/4 Lock Washer	6
3	see list	Bushing	1
4	D5/8X11/4C8P	5/8-11UNC x 1 1/4" Hex Cap -Grd8	3
5	D18100167	Top Cap	1
6	see list	Jaw Set	1
7	see list	Jaw Retaining Ring	2
8	D1/2X21/4C8P	1/2-13UNC x 2 1/4" Hex Cap -Grd8	9
9	D18100168	Top Cap Holder	1
10	D011383	1/2-13UNC x 5 1/2" Socket Cap	6
11	D1/2X8C8B	1/2-13UNC x 8" Hex Cap -Grd8	3
12	D18100202	Top Spacer - Notched	3
13	D18100169	Clamp Bowl - Slotted (12.5 deg)	1
14	D5200517	Spring	18
15	D5020126	Housing Bushing	2
16	B3T-1130	1/4" - 28 Grease Fitting	1
17	D18100170	Housing, P Clamp	1
18	D5040192	Oil Seal	9
19	D3506880	Bowl Spacer-Bottom	9
20	D18100191	O Ring	1
21		1/4" Dust Plug for Shipping	1
22	D2920332 D2020332C	Cylinder Cylinder **Hard Chrome Plated**	1
23	D5035018	Wear Ring **	1
24	D5035016	U Cup Seal **	1
25	D011377	1/2-13UNC x 4" Socket Cap	9
26	D5035015	U Cup Seal **	1
27	D5035017	Wear Ring **	1
28	D18100171 D18100171C	Piston - "P" Clamp Piston **Hard Chrome Plated**	1
29	D18100200	O Ring	1
30	D18100192	O Ring	1
31	D18100172	Bottom Cap	1
32	D7500346	1/8" NPT Breather Plug	1

33	D1/2LW8P	1/2"Lock Washer	9
34	D1/2X2C8P	1/2-13UNC x 2" Hex Cap (Grd 8)	9
35	see list	Bushing	1
**	DSealKit-Clamp	"P" Clamp Cylinder Seal Kit includes items 23,24,26&27	1
		JAW SETS	
6	D18100174	Jaw Set, B Rod	1
6	D18100175	Jaw Set, B Casing Jaw Set, N Rod	1
6	D18100176		1
6	D18100177	Jaw Set, H Rod / N Casing	1
6	D18100178	Jaw Set, P Rod / H Casing	1
		JAW RETAINING RINGS	
7	D18100208	Retaining Ring (2 req'd for each size, except P Rod)	2
7	D18100209	Retaining Ring (1 req'd for P Rod size)	1
7	D18100484	Retaining Ring (1 req'd for P Rod size)	1
		BUSHINGS	

PROLENC[®]

MANUFACTURING INC.

D18120006 – P-CLAMP ASSEMBLY



10 (not shown)