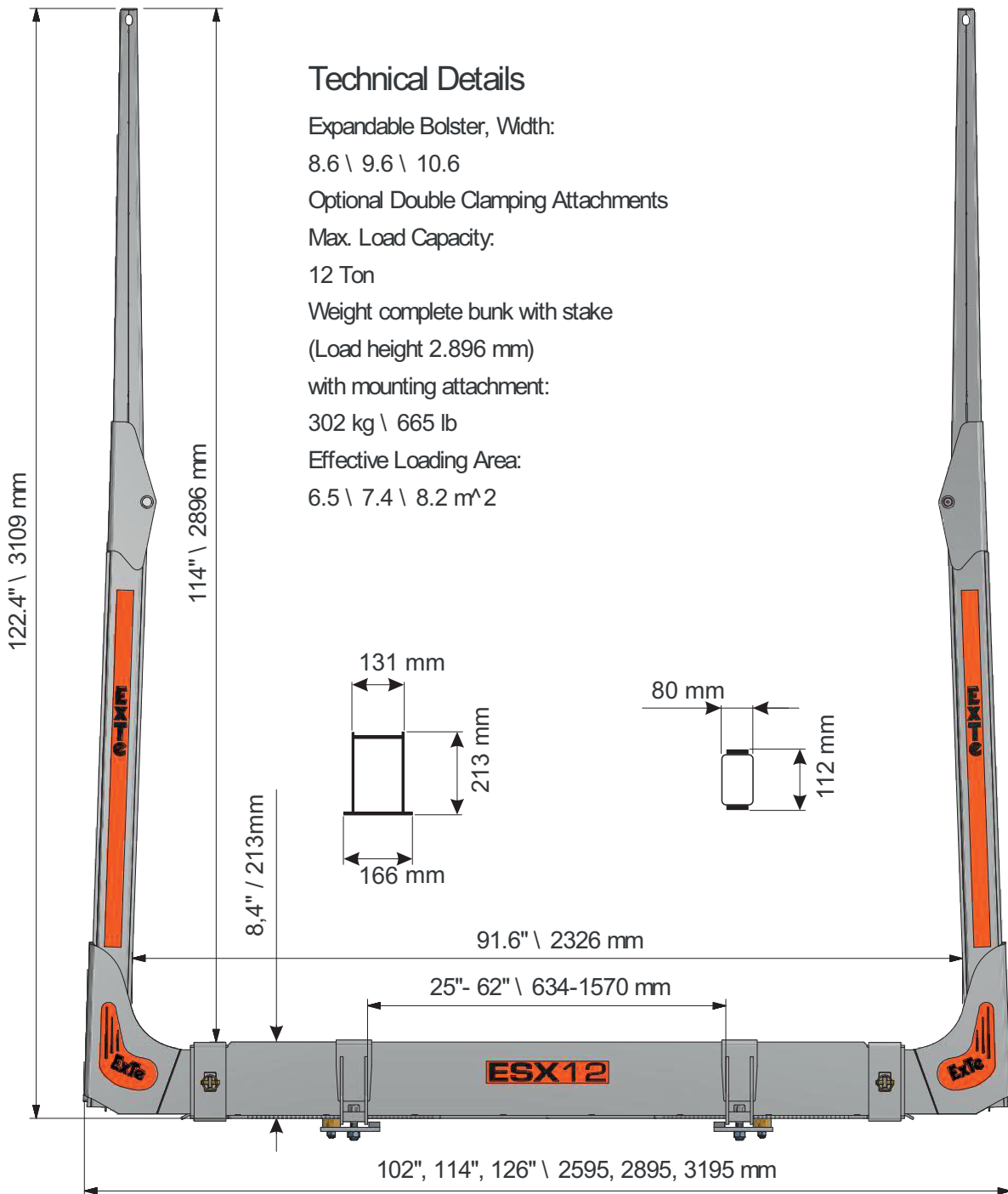


ES - Series

ESX12



Technical Details

Expandable Bolster, Width:

8.6 \ 9.6 \ 10.6

Optional Double Clamping Attachments

Max. Load Capacity:

12 Ton

Weight complete bunk with stake

(Load height 2.896 mm)

with mounting attachment:

302 kg \ 665 lb

Effective Loading Area:

6.5 \ 7.4 \ 8.2 m²

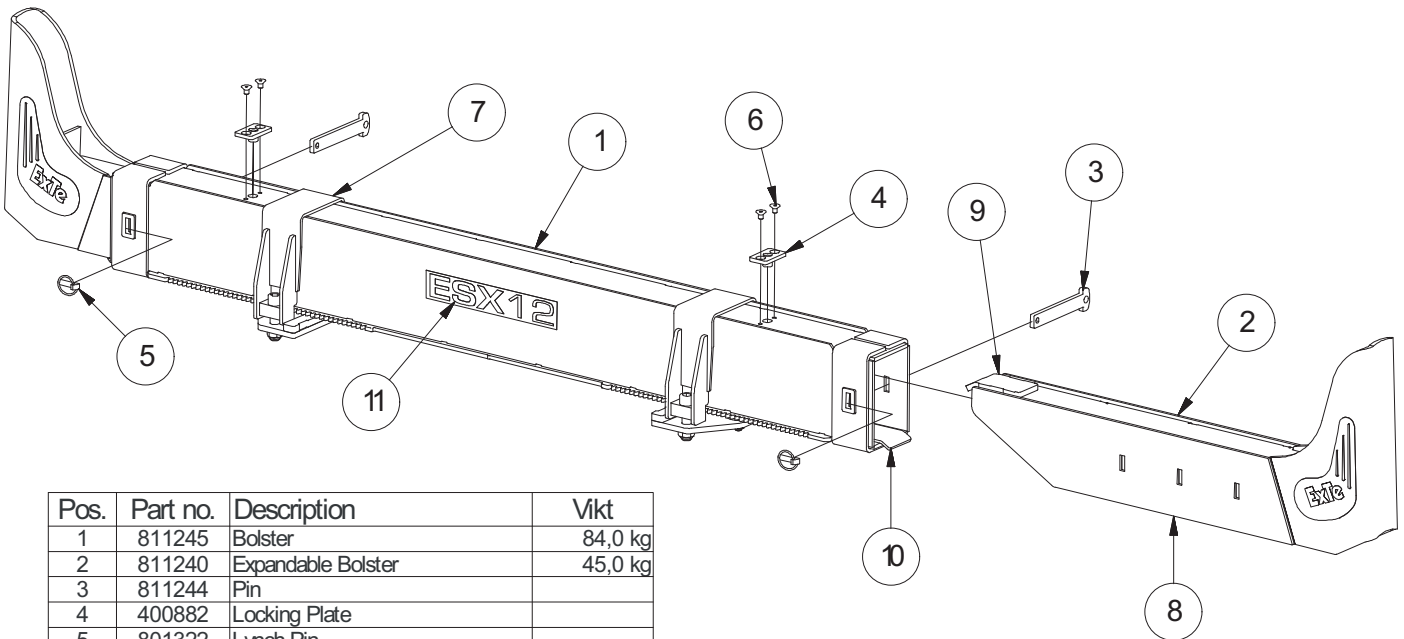
ExTe

Securing cargo. We invented the concept.

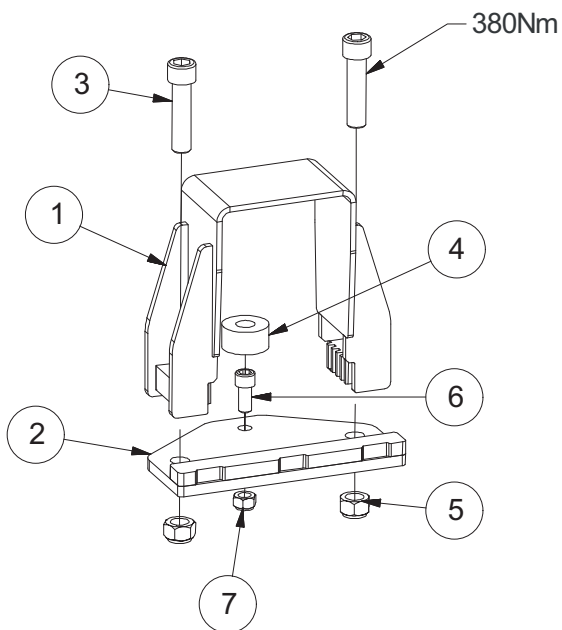
ESX12

Page 2 Spare Parts

All stakes from ES-series fits, folding and non-folding. For part numbers see ES12 datasheet.



Pos.	Part no.	Description	Vikt
1	811245	Bolster	84,0 kg
2	811240	Expandable Bolster	45,0 kg
3	811244	Pin	
4	400882	Locking Plate	
5	801322	Lynch Pin	
6	211191	Screw MF6S M10x16	
7	811246	Clamping Attachment	10,0 kg
8	811241	Outer Wear Plate	
9	811242	Top Wear Plate	
10	811243	Inner Wear Plate	
11	811248	Decal kit	



Asymmetric Upper Clamp

Turn clamp 180 degrees to adjust play between clamp and frame.

Pos.	Part no.	Description	Vikt
1	811246	Upper Clamp	5,00 kg
2	811247	Lower Clamp	4,50 kg
3	211646	Screw M20 x 100	
4	800656	Rubber Damper	
5	211861	Locking Nut M20	
6	211641	Screw MC6S M14x30	
7	211867	Locking Nut M14	

ExTe

Securing cargo. We invented the concept.

ExTe Fabriks AB, SE-820 41 Färila Sweden. Tel: +46 (0)651 175 00. Fax: +46 (0)651 175 03. E-mail: info@exte.se www.exte.se