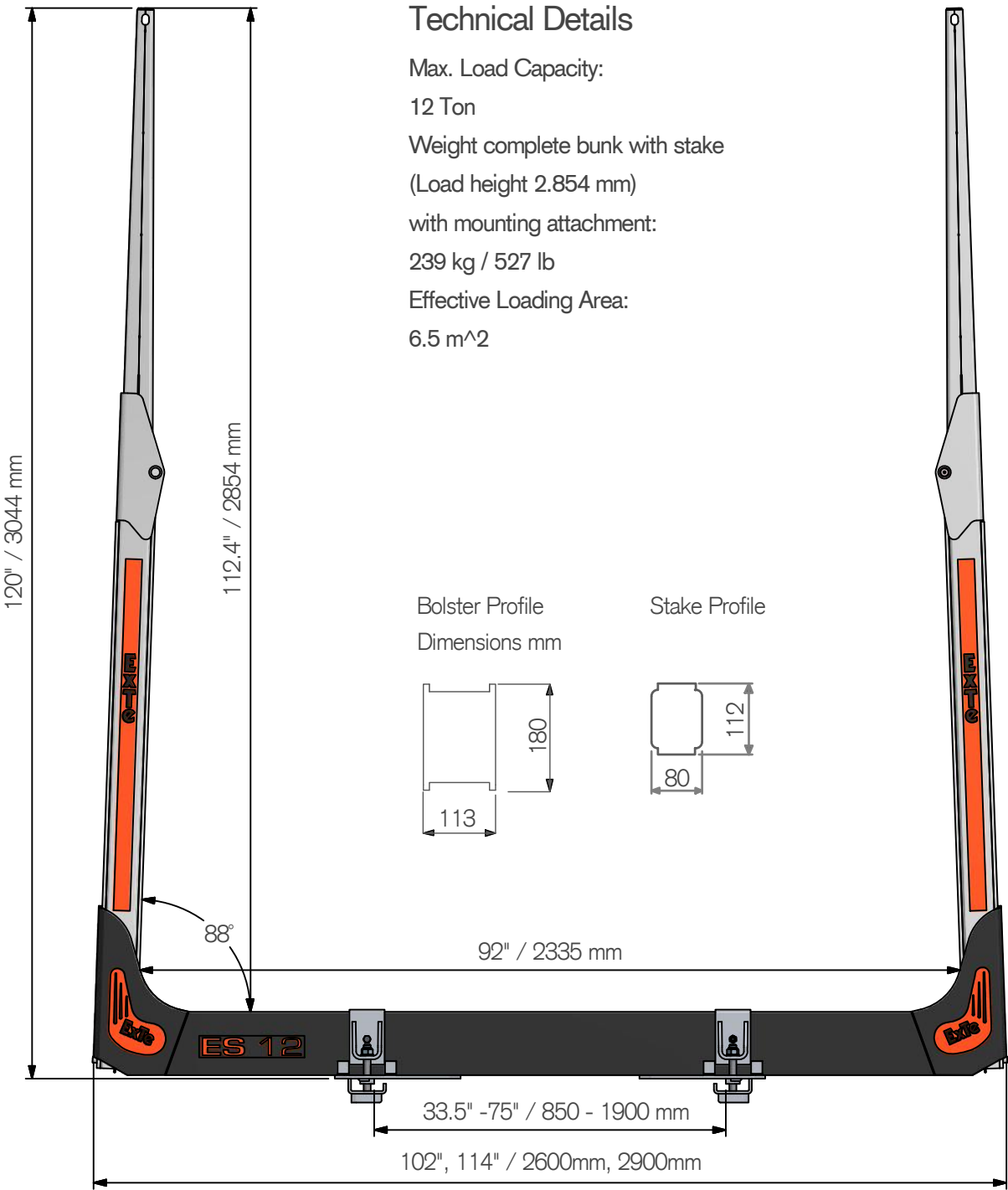


# ES - Series

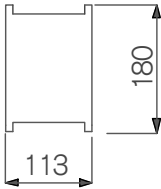
## ES12 F



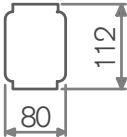
### Technical Details

Max. Load Capacity:  
 12 Ton  
 Weight complete bunk with stake  
 (Load height 2.854 mm)  
 with mounting attachment:  
 239 kg / 527 lb  
 Effective Loading Area:  
 6.5 m<sup>2</sup>

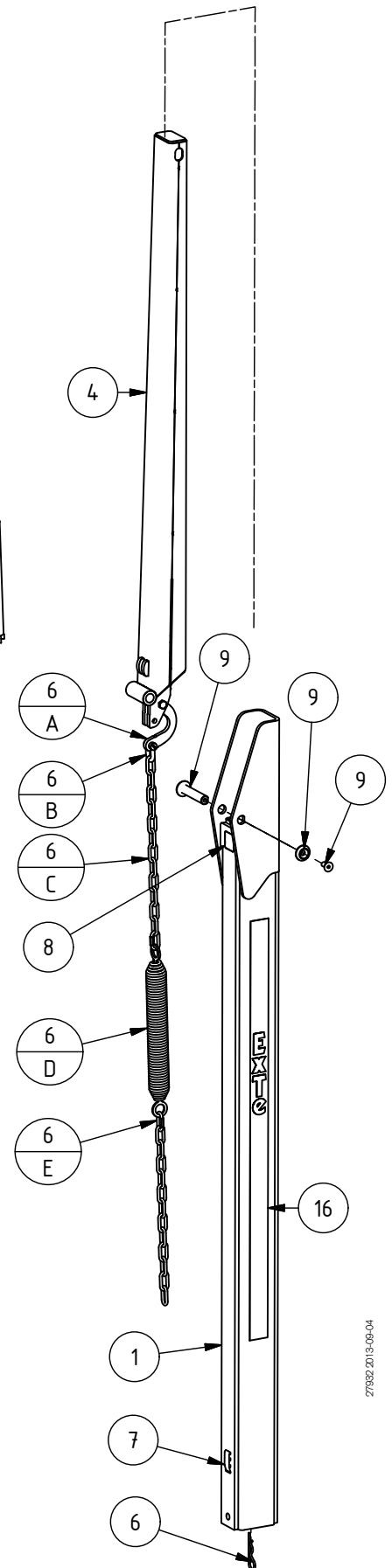
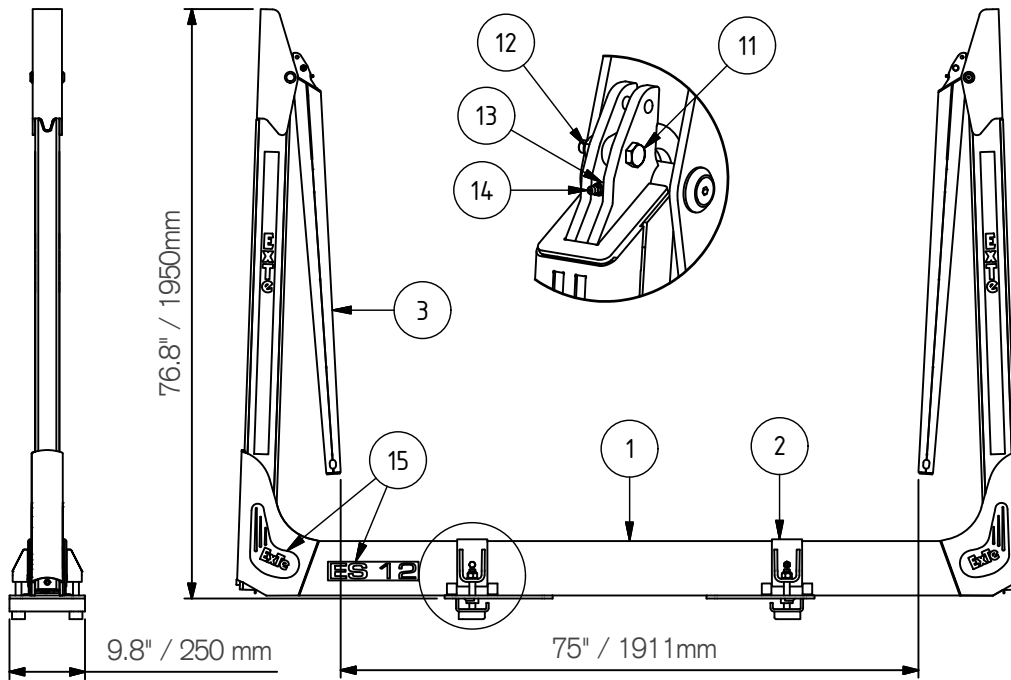
Bolster Profile  
 Dimensions mm



Stake Profile



Securing cargo. We invented the concept.



Pos.	Part no.	Description	Weight
1	811500	Bolster ES12 8.6 / 2600mm	99 kg / 218 lb
1	811510	Bolster ES12 9.6 / 2900mm	108 kg / 238 lb
2	810850	Clamping Attachment	15.5 kg
3	811600	Foldable Stake ES12 122.5"	55.5 kg / 122 lb
3	811601	Foldable Stake ES12 120"	55 kg / 121 lb
3	811602	Foldable Stake ES12 117.5"	54.5 kg / 120 lb
3	811603	Foldable Stake ES12 115"	54 kg / 119 lb
3	811604	Foldable Stake ES12 112.5"	53.5 kg / 118 lb
4	811228	Top Stake 122.5"	
4	811202	Top Stake 120"	14 kg / 30 lb
4	811216	Top Stake 117.5"	
4	811217	Top Stake 115"	
4	811218	Top Stake 112.5"	
5	811610	Lower Stake ES12	
6	811620	Spring Kit	2,4 kg / 5.3 lb
6A	811209	*Cam	
6B	171010	*Shackle 10mm	
6C	171011	*Chain	
6D	811208	*Spring	
6E	171009	*Quick Link	
7	811206	Bolster Rubber	
8	811205	Hinge Rubber	
9	811210	Pin Kit	
10	811204	Locking Pin	
11	211014	M10 x 50 8.8	
12	800165	M10 Loc-K	
13	811207	Extension For Grease Nipple	
14	800166	Grease Nipple M6x1	
15	811232	Decal Kit Bolster	
16	811212	Decal Kit Stake	

Drill Ø13 thru bolster for sidewise locking of bunk.

**ExTe**

Securing cargo. We invented the concept.

