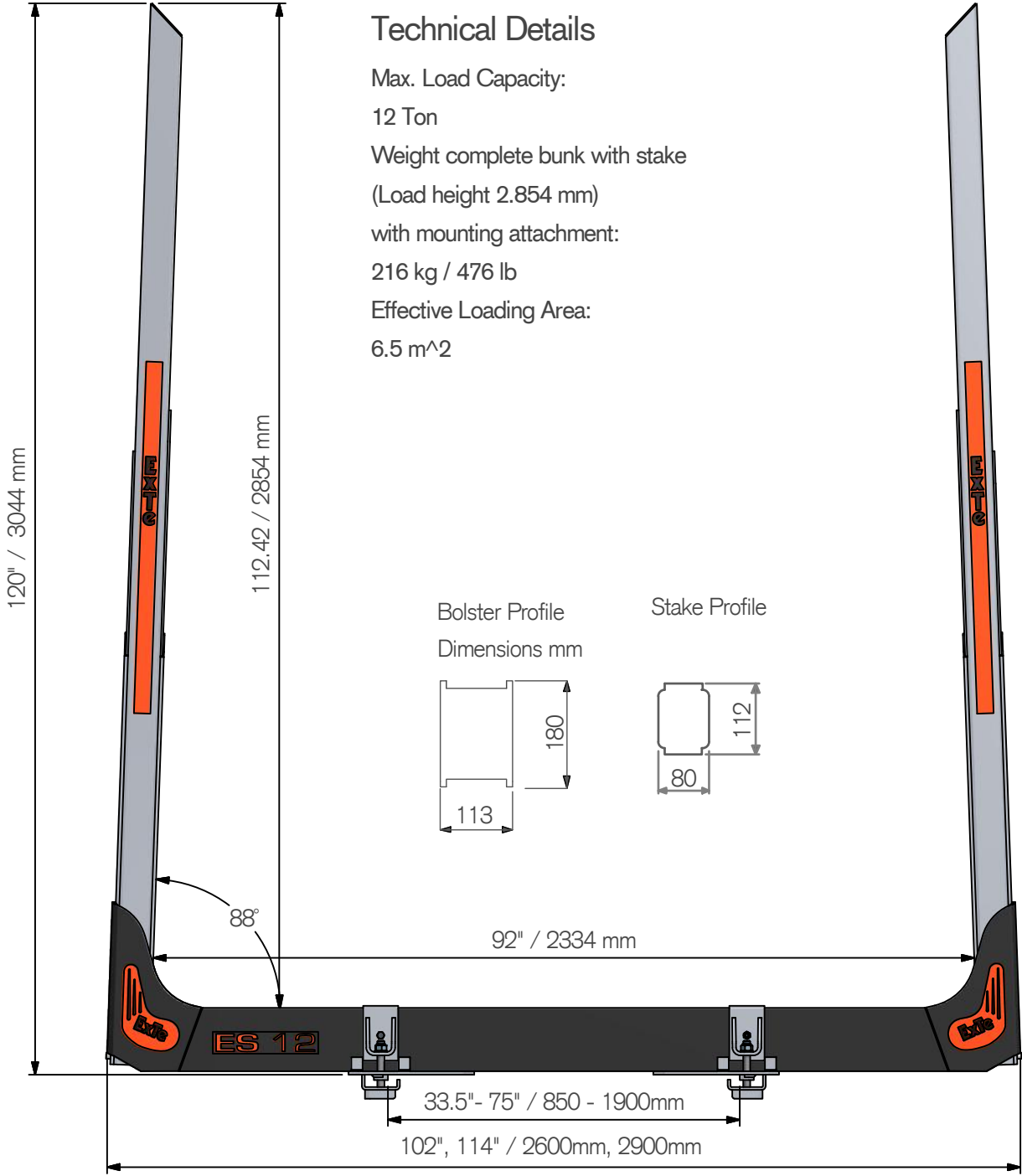


ES - Series

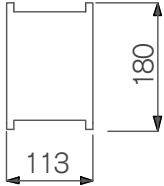
ES12



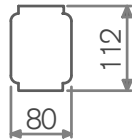
Technical Details

Max. Load Capacity:
 12 Ton
 Weight complete bunk with stake
 (Load height 2.854 mm)
 with mounting attachment:
 216 kg / 476 lb
 Effective Loading Area:
 6.5 m²

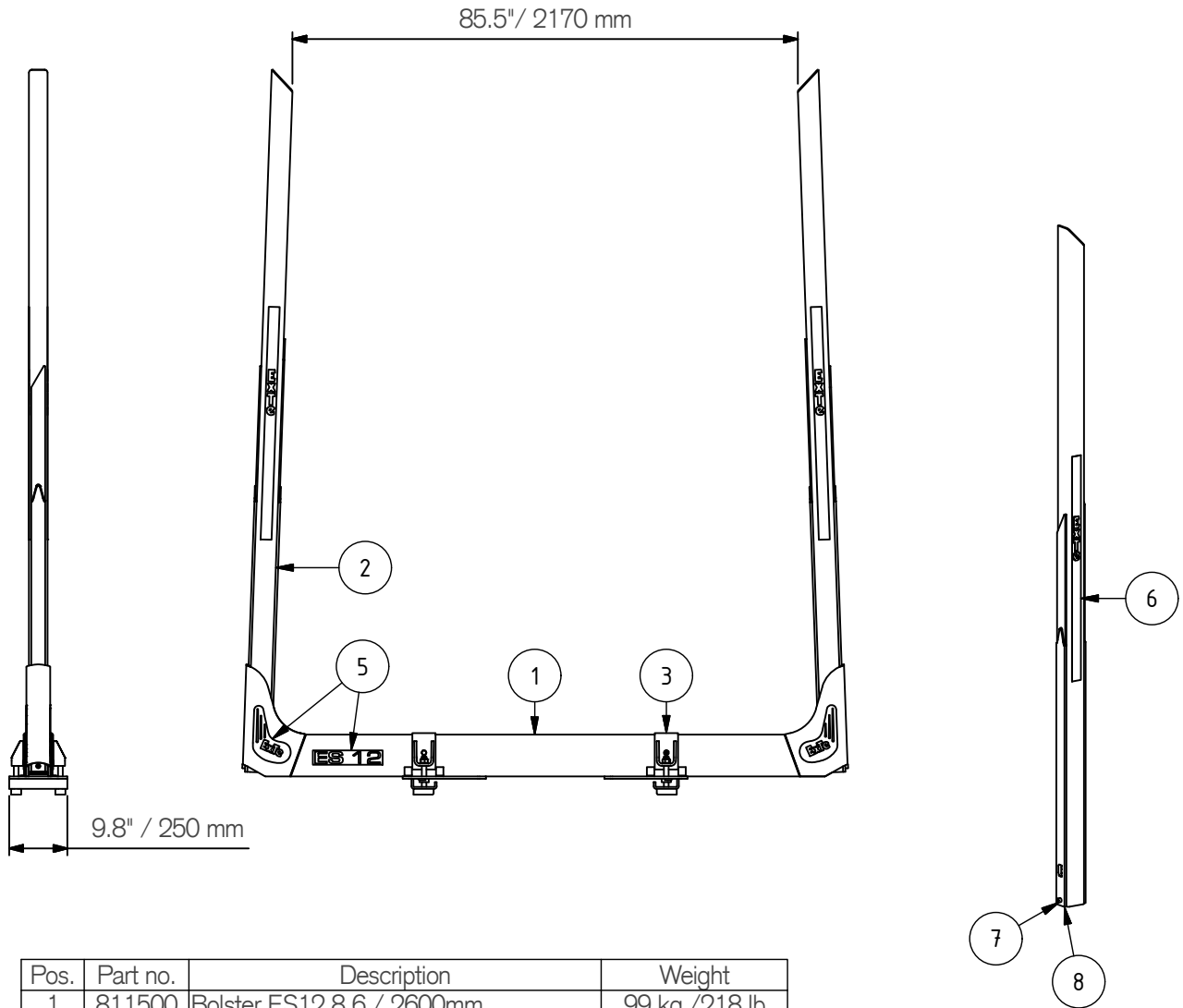
Bolster Profile
 Dimensions mm



Stake Profile



Securing cargo. We invented the concept.



Pos.	Part no.	Description	Weight
1	811500	Bolster ES12 8.6 / 2600mm	99 kg / 218 lb
1	811510	Bolster ES12 9.6 / 2900mm	108 kg / 238 lb
2	811650	Stake ES12 Euro 120"	43 kg / 95 lb
		Other Loading Heights on request	
3	810850	Mounting Attachment	15.5 kg / 34 lb
4	811206	Bolster rubber	
5	811232	Decal Kit Bolster	
6	811212	Decal Kit Stake	
7	211673	M12 x 30 MC6S	
8	211857	Locking Nut M12	

ExTe

Securing cargo. We invented the concept.

ExTe Fabriks AB, SE-820 41 Färila Sweden. Tel: +46 (0)651 175 00. Fax: +46 (0)651 175 03. E-mail: info@exte.se www.exte.se