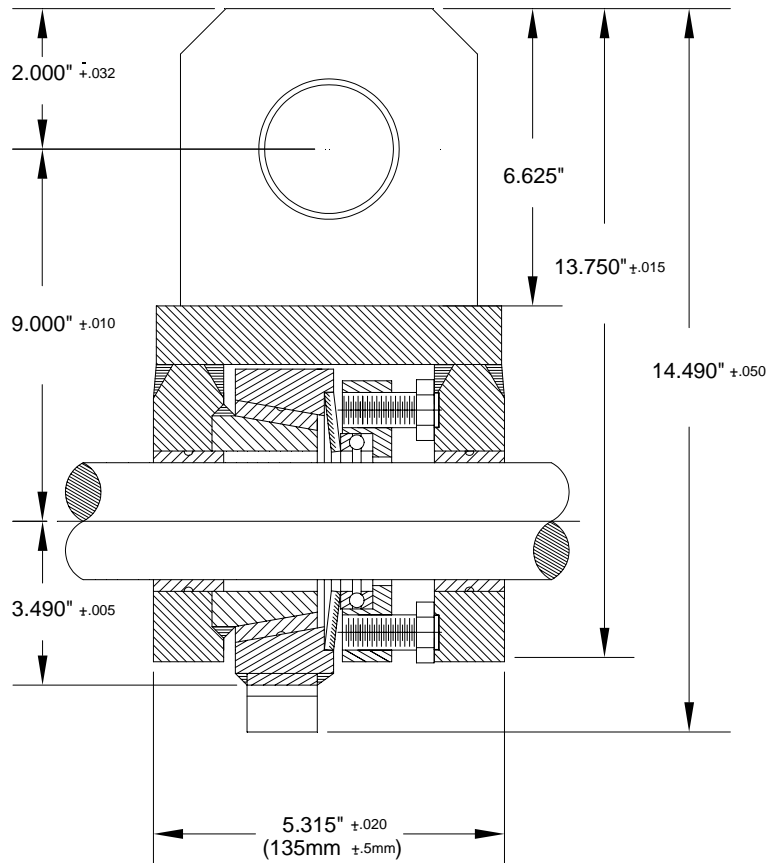
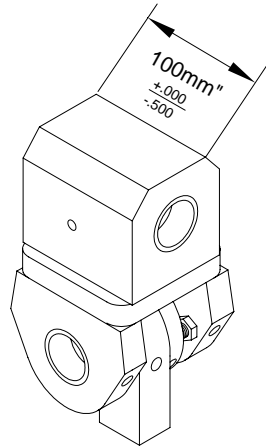


**INTERNAL MOUNT**

**1000 SERIES  
SINGLE**

**SNUBBER ASSEMBLY – PARTS**

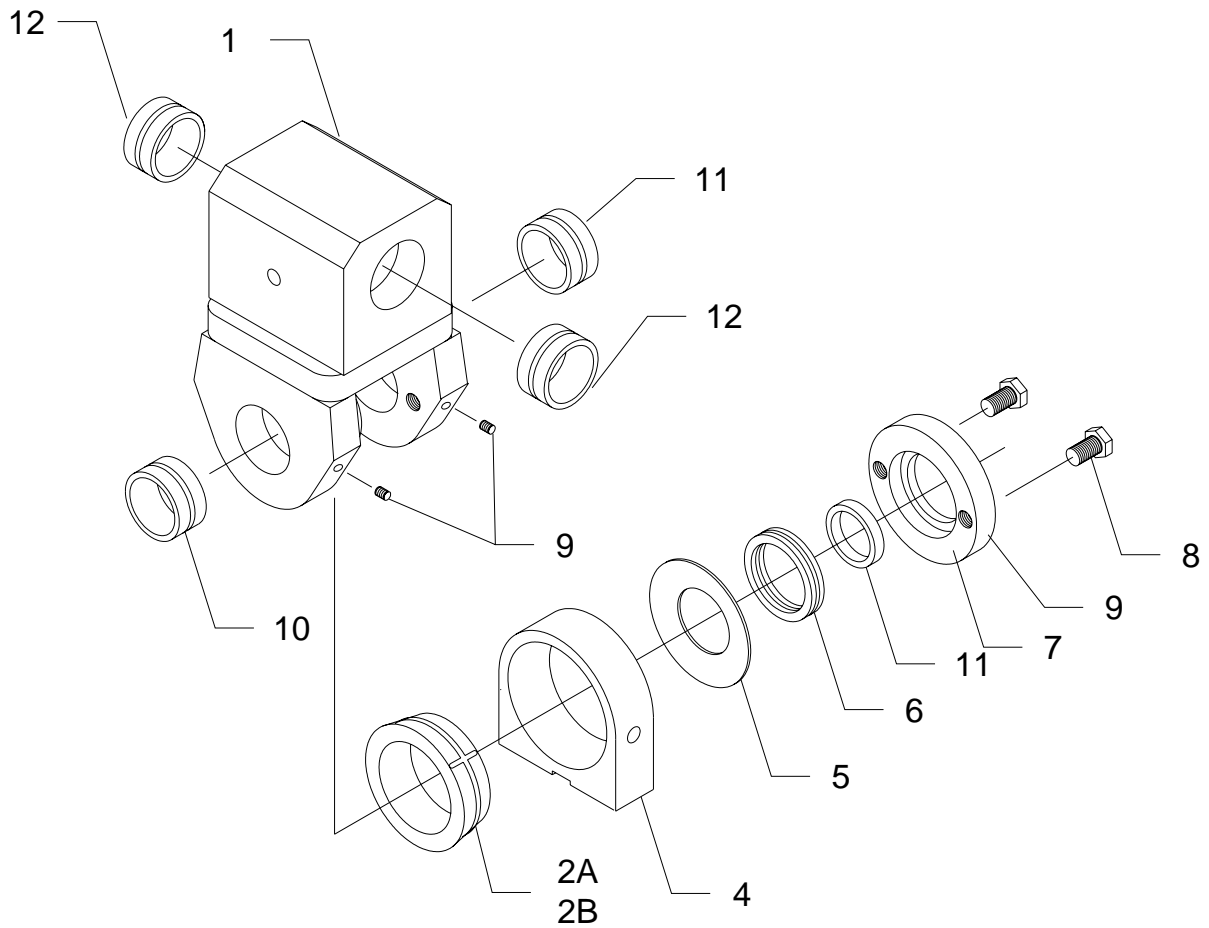


**INTERNAL MOUNT**

**1000 SERIES  
SINGLE**

**B31000HD-14**

TIGERCAT FORWARDER  
LOGLIFT CRANE



**INTERNAL MOUNT**

**1000 SERIES**

**B31000HD-14**

TIGERCAT FORWARDER  
LOGLIFT CRANE

ITEM	PART#	DESCRIPTION	QTY
1	B3T-1405	LINK ASSEMBLY SINGLE – 100mm TOP	1
2A	B3T-1015G	FRICTION SLEEVE ZINCALLOY ZA12	1
2B	B3T-1175	FRICTION SLEEVE COMPOSITE MATERIAL (OPT. TO 2A)	1
3	B3T-1140	FOOT HOUSING	1
4	B3T-1030	SPRING WASHER	1
5	B3T-1035	BEARING	1
6	B3T-1180	BEARING SEAL	1
7	B3T-1040	PRESSURE PLATE	1
8	B3T-1045	BOLT	2
9	B3T-1130	ZERK 1/4-28 STRAIGHT	6
10	B3T-1085S	BUSHING 2.060" ID x 1.450" LONG	1
11	B3T-1150S	BUSHING 2.060" ID x 1.125" LONG	1
12	B3T-470	BUSHING 45mm ID x 1.125" LONG	2