

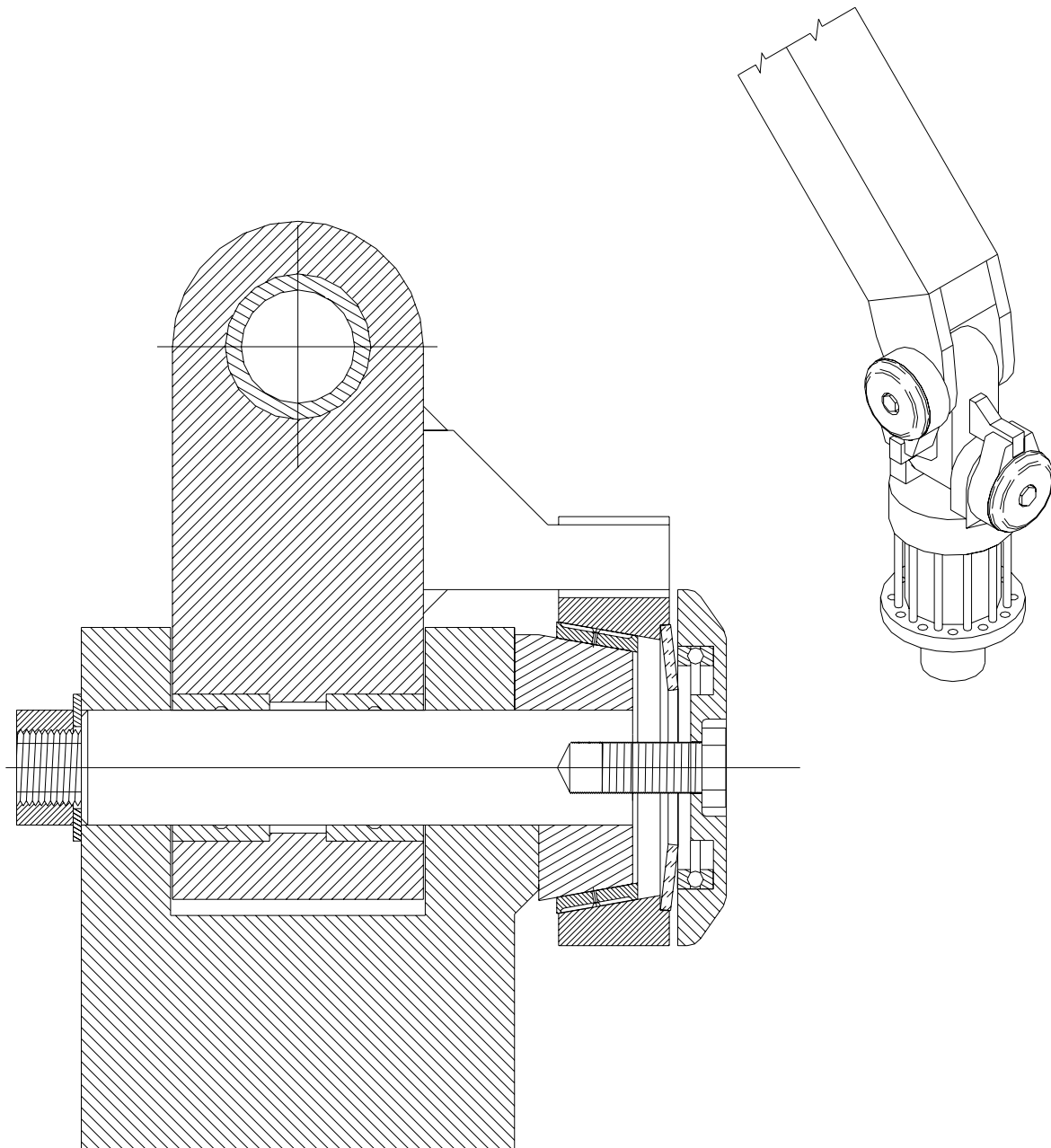
# **S**ECTION 4

## **350 SERIES**

4-2	<a href="#"><u>Snubber Assembly - Parts</u></a>
4-3	<a href="#"><u>O.E.M. Pinhead Styles</u></a>
4-4	<a href="#"><u>Stick Boom Mount</u></a>
4-5	<a href="#"><u>Rotate Yoke Mount</u></a>
4-5	<a href="#"><u>Service and Adjustment</u></a>
4-6	<a href="#"><u>B3350</u></a>
4-7	<a href="#"><u>B3350-1</u></a>
4-8	<a href="#"><u>B3350-2</u></a>
4-9	<a href="#"><u>B3350-3</u></a>
4-10	<a href="#"><u>B3350-4</u></a>
4-11	<a href="#"><u>B3350-5</u></a>
4-12	<a href="#"><u>B3350-6</u></a>
4-13	<a href="#"><u>B3350-7</u></a>
4-14	<a href="#"><u>B3350-8</u></a>
4-15	<a href="#"><u>B3350-9</u></a>
4-16	<a href="#"><u>B3350-10</u></a>
4-17	<a href="#"><u>B3350-11</u></a>

SNUBBER ASSEMBLY – PARTS

INDEXATOR REPLACEMENT – GV11, GV104, GV12



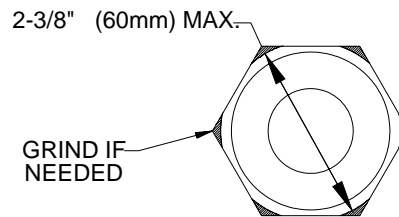
**EXTERNAL MOUNT**

**MOUNTING AND OPERATIONAL INSTRUCTIONS**

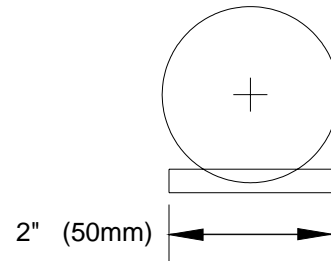
**O.E.M. PINHEAD STYLES**

Original pin heads must be smaller than 2 1/2" (63 mm) To allow passage of pin through the core during attachment disassembly.

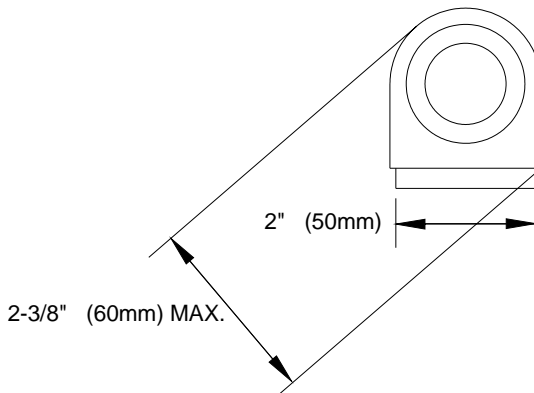
- A)** Hex style pin heads 2 1/2" across corners or larger must have corners of hex ground to 2 3/8" (60 mm) or less.



- B)** Pin heads with a milled flat area rest against external key stock to prevent pin from turning during assembly. This key stock must be short enough, 2" (50 mm) maximum, to fit under core when the core is welded into position.



- C)** Pinheads with a flat anchor larger than 2 1/2" (63 mm.) can be trimmed and ground. \*note\* a flat portion must be retained to stop pin from turning during assembly. Key stock stop maximum 2" (50 mm) long allowing core to be welded into position.

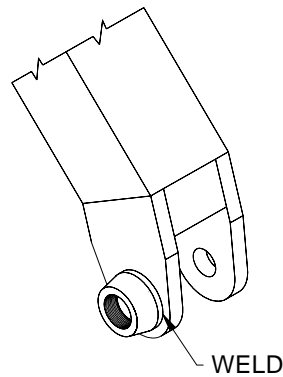


**EXTERNAL MOUNT**

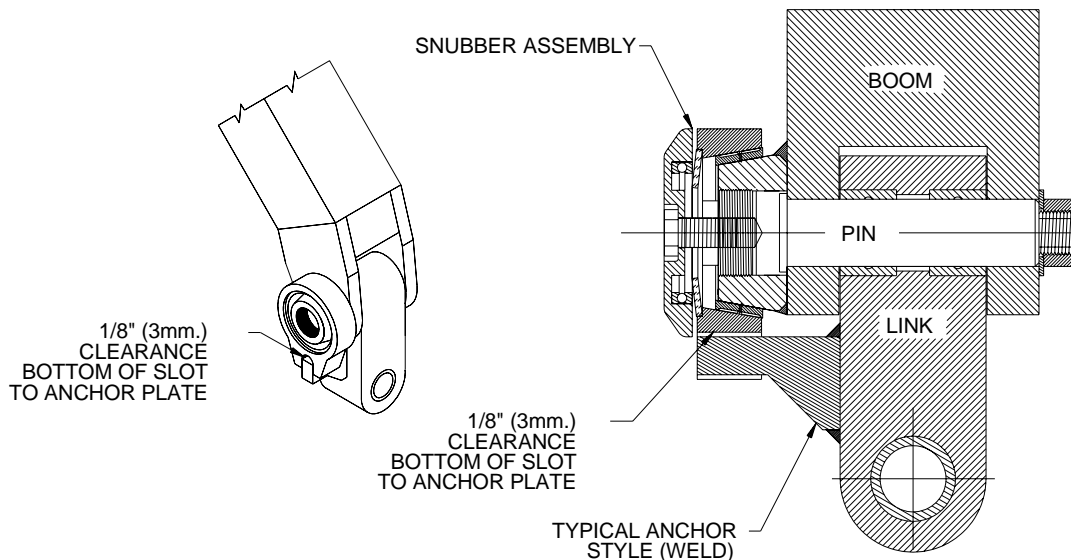
**MOUNTING AND OPERATIONAL INSTRUCTIONS**

**STICK BOOM MOUNT**

- 1) Center snubber core around head of pin and tack weld into position. Ensure head of pin can travel through center of the core without interference. Protect taper surface of core from weld splatter and weld core to boom with 7018 low hydrogen rod, or ARCTEC 223 XC, minimum 2 passes.



- 2) Assemble snubber with slot style housing facing down parallel to link. An anchor must be cut from 1" (NORTH AMERICA) 25 mm (EUROPE) steel plate and welded to link. Maintain 1/8" (3 mm) clearance, between bottom of housing slot and top of anchor, allowing full engagement of anchor.  
\*\*Ensure anchor does not interfere with rotate yoke & crane nose during side to side travel of attachment.



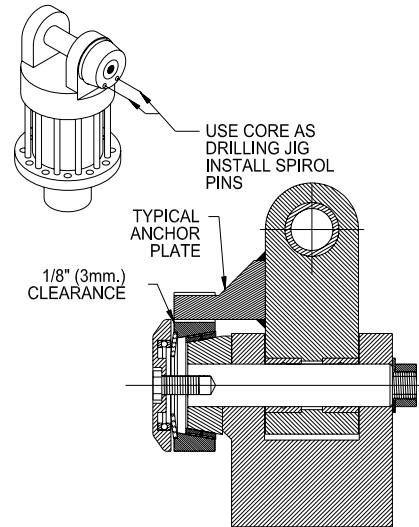
**EXTERNAL MOUNT**

**MOUNTING AND OPERATIONAL INSTRUCTIONS**

GV11, GV104, GV12

**ROTATE YOKE MOUNT**

- 3) Remove original pin. Install core and pin assembly with inside flat surface of core mating to flat edged pin lock on yoke ear. \*NOTE\* some rotators may require removal of name plate or grinding of ear to ensure full contact of core and yoke ear.
- 4) Drill 2 - 10mm holes thru yoke ear using holes in core as drill guide. Install 10 mm SPIROL pins provided to lock core to yoke ear.
- 5) Cut housing anchor from 1" plate (NORTH AMERICA) 25 mm (EUROPE) and weld to link bar. Allow 1/8" (3 mm) clearance between bottom of housing slot and bottom of anchor.



OPTIONAL: Install QUADCO solid steel link.

**SERVICE AND ADJUSTMENT**

- During final assembly of snubber apply LOCTITE 620 or equivalent to core and inner surface of friction sleeve and install.
- Apply liberal amount of moly based grease to outer surface of friction sleeve and thrust bearing.\*\*
- \*\* For B3T-1175 composite sleeve, install dry.
- To set tension, tighten end-cap bolt.

**CAUTION:** Only tension snubber to maintain adequate control of attachment, dependant upon application and attachment weight.  
Over tensioning of snubber reduces friction sleeve life.

**IMPORTANT:** All service points on the snubber should be greased every 10 hours.  
(Friction Sleeve: grease B3T-1015G only)

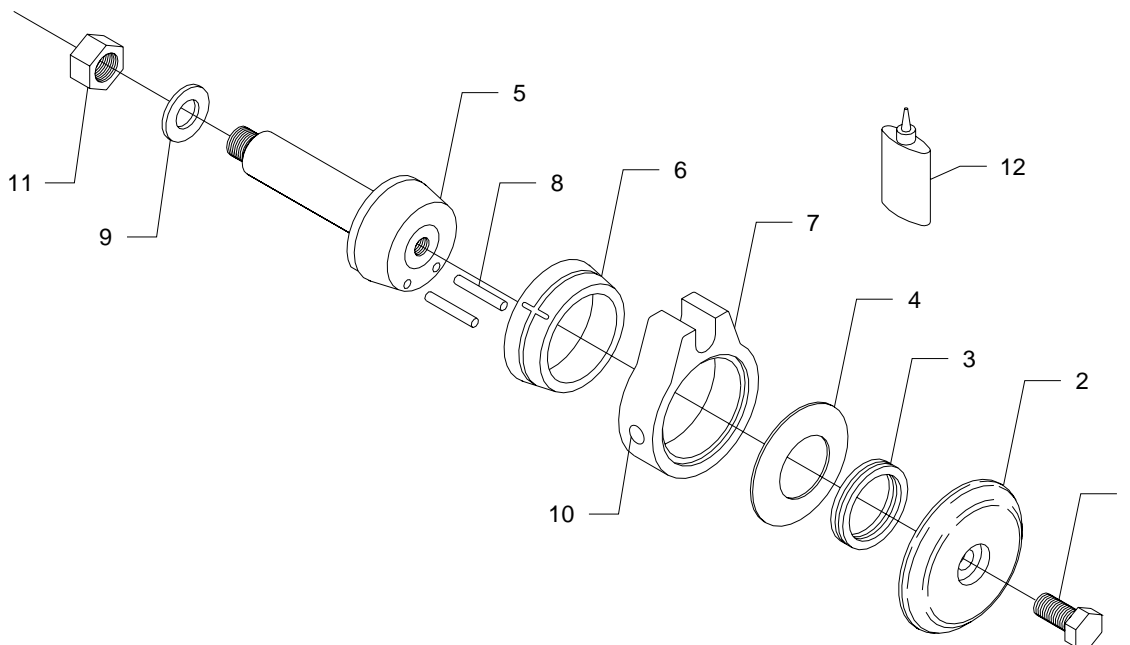
Greases with 5% - 6% MOLY are recommended:  
Military Spec. MIL G23549C  
-Lubriplate 176            5<sup>0</sup>F./-15<sup>0</sup>C.  
-Lubriplate 3000        15<sup>0</sup>F./-9.5<sup>0</sup>C.  
-Lubriplate 3000w      -30<sup>0</sup>F./-34.5<sup>0</sup>C.  
-or EQUIVALENT

**EXTERNAL MOUNT**

**350 SERIES**

**B3350**

USE WITH INDEXATOR ROTATORS  
GV11, GV104, GV12  
\*NORTH AMERICA ONLY\*



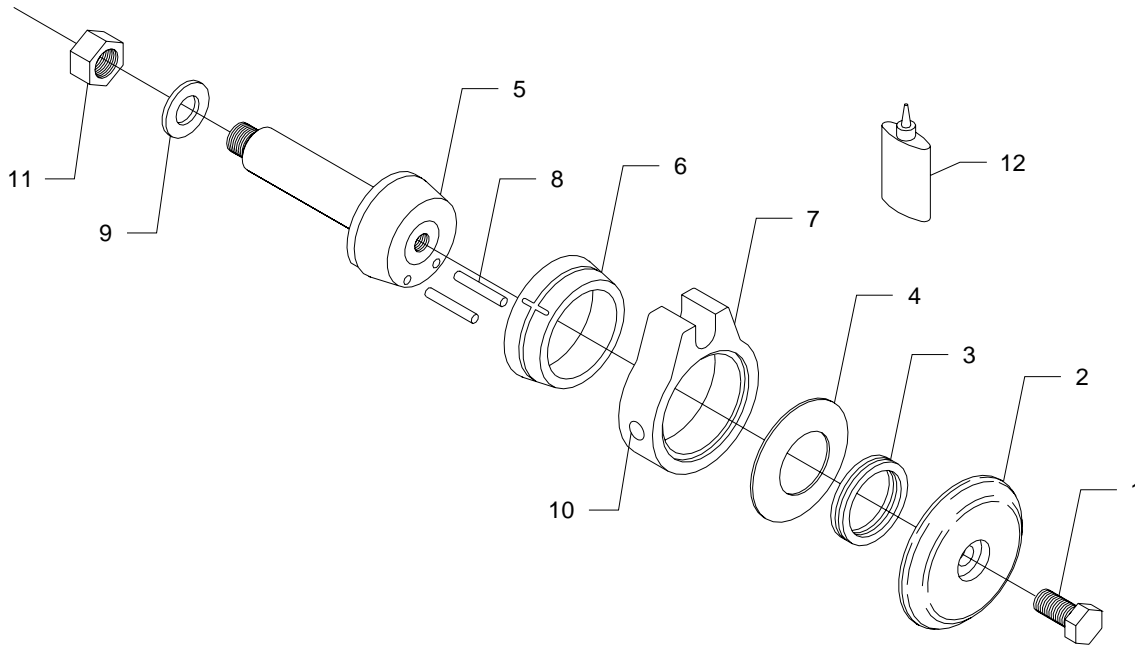
ITEM	PART#	DESCRIPTION	QTY
1	B3T-440	BOLT (M16 x 1.5 x 50 mm LONG -10.9)	1
2	B3T-430	END CAP	1
3	B3T-1035	BEARING	1
4	B3T-1030	SPRING WASHER, 1 <sup>ST</sup> CONCAVE TO HOUSING, 2&3 CONCAVE - FACE TO FACE	3
5	B3T-340	CORE ASS'Y (35 mm PIN O.D.)	1
6	B3T-1015	FRICITION SLEEVE (ZINC ALLOY ZA12)	1
OPT.	B3T-1175	FRICITION SLEEVE (COMPOSITE MATERIAL)	1
7	B3T-1020	HOUSING (1.032" SLOT)	1
8	B3T-375	SPIROL PIN (M10 x 60 mm LONG)	2
9	B3T-450	WASHER	1
10	B3T-1130	ZERK	2
OPT	B3T-1190	PLUG, USE WITH B3T-1175 COMPOSITE SLEEVE	2
11	B3T-535	NUT (M30 x 1.5 NYLOCK JAMNUT)	1
12	B3T-575	SLEEVE RETAINER, LOCTITE 620 OR EQUIVALENT	1

**EXTERNAL MOUNT**

**350 SERIES**

**B3350-1**

EUROPE ONLY - USE WITH INDEXATOR ROTATORS  
GV6, GV11, GV104, GV12



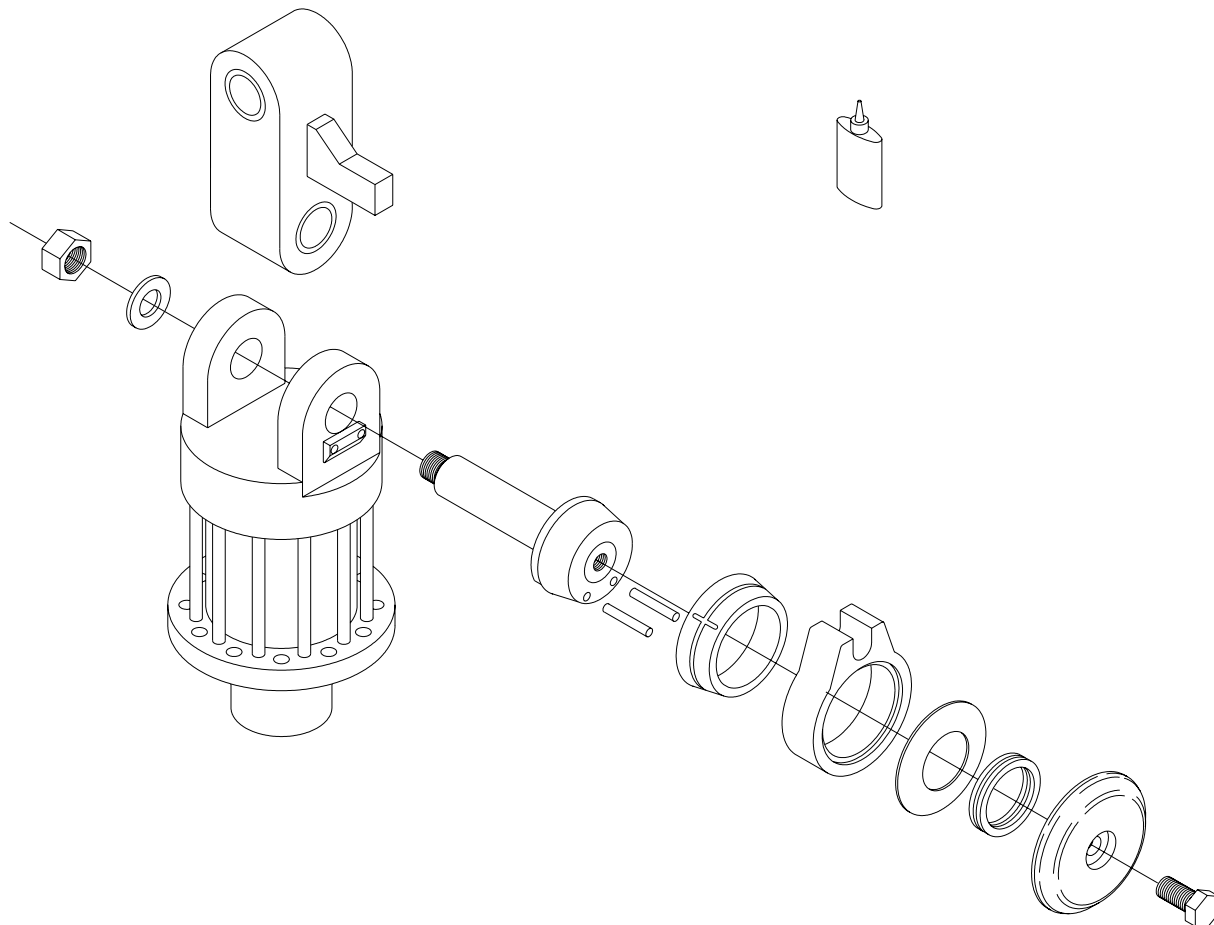
ITEM	PART#	DESCRIPTION	QTY
1	B3T-440	BOLT (M16 x 1.5 x 50 mm LONG -10.9)	1
2	B3T-430	END CAP	1
3	B3T-1035	BEARING	1
4	B3T-1030	SPRING WASHER, 1 <sup>ST</sup> CONCAVE TO HOUSING, 2&3 CONCAVE - FACE TO FACE.	3
5	B3T-340	CORE ASS'Y (35 mm PIN O.D.)	1
6	B3T-1015G	FRICTION SLEEVE (ZINC ALLOY ZA12)	1
OPT.	B3T-1175	FRICTION SLEEVE (COMPOSITE MATERIAL)	1
7	B3T-520	HOUSING (25 mm SLOT)	1
8	B3T-375	SPIROL PIN (M10 x 60 mm LNG.)	2
9	B3T-450	WASHER	1
10	B3T-1130	ZERK	2
OPT.	B3T-1190	PLUG, USE WITH B3T-1175 COMPOSITE SLEEVE	2
11	B3T-535	NUT (M30 x 1.5 NYLOCK JAMNUT)	1
12	B3T-575	SLEEVE RETAINER LOCTITE 620 OR EQUIVALENT	1

**EXTERNAL MOUNT**

**350 SERIES**

**B3350- 2**

NORTH AMERICA - USE WITH INDEXATOR ROTATORS GV6, GV11, GV104, GV12  
 LINK 80 mm WIDE @ ROTATOR EARS, 35 mm BUSHING I.D.  
 LINK 80 mm WIDE @ CRANE NOSE, 35 mm BUSHING I.D.  
 1 DIRECTION, SIDE TO SIDE



ITEM	PART#	DESCRIPTION	QTY
1	B3350	SNUBBER ASSEMBLY, 35 mm PIN (1.032" SLOT)	1
2	B3T-475	LINK, 80/35 mm – 80/35 mm 190 PIN CENTERS	1
	B3T-465	BUSHING, 35mm I.D.	4

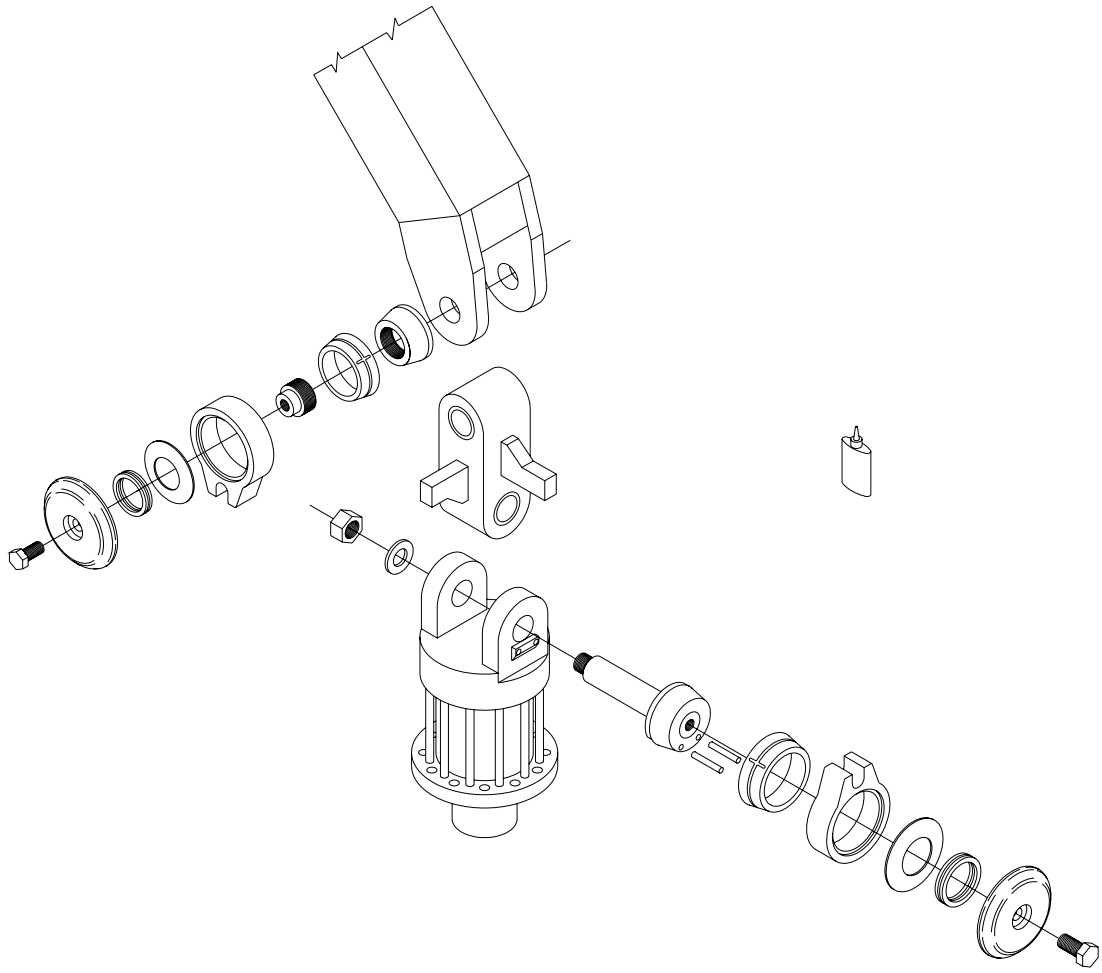


**EXTERNAL MOUNT**

**350 SERIES**

**B3350- 3**

NORTH AMERICA - USE WITH INDEXATOR ROTATORS GV6, GV11, GV104, GV12  
 LINK 80 mm WIDE @ ROTATOR EARS, 35 mm BUSHING I.D.  
 LINK 80 mm WIDE @ CRANE NOSE, 35 mm BUSHING I.D.



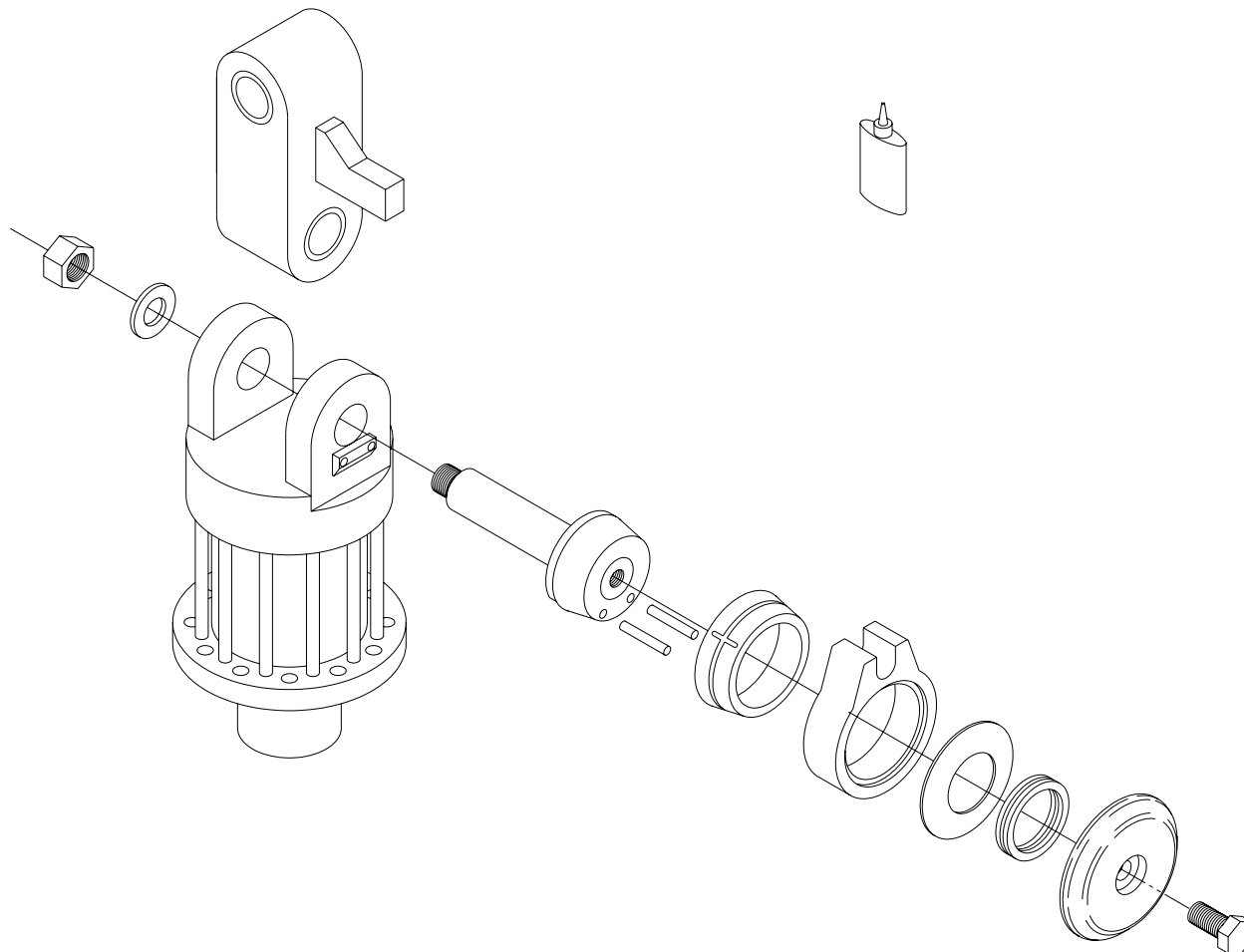
ITEM	PART#	DESCRIPTION	QTY
1	B3350	SNUBBER ASSEMBLY, 35 mm PIN (1.032" SLOT)	1
2	B3T-475	LINK, 80/35 mm – 80/35 mm 190 PIN CENTERS	1
	B3T-465	BUSHING, 35 mm I.D.	4
3	B3300	SNUBBER ASEMBLY, WELD ON (1.032" SLOT) 16mm BOLT	1

**EXTERNAL MOUNT**

**350 SERIES**

**B3350- 4**

NORTH AMERICA - USE WITH INDEXATOR ROTATORS GV6, GV11, GV104, GV12  
 LINK 80 mm WIDE @ ROTATOR EARS, 35 mm BUSHING I.D.  
 LINK 100 mm WIDE @ CRANE NOSE, 45 mm BUSHING I.D.  
 1 DIRECTION, SIDE TO SIDE



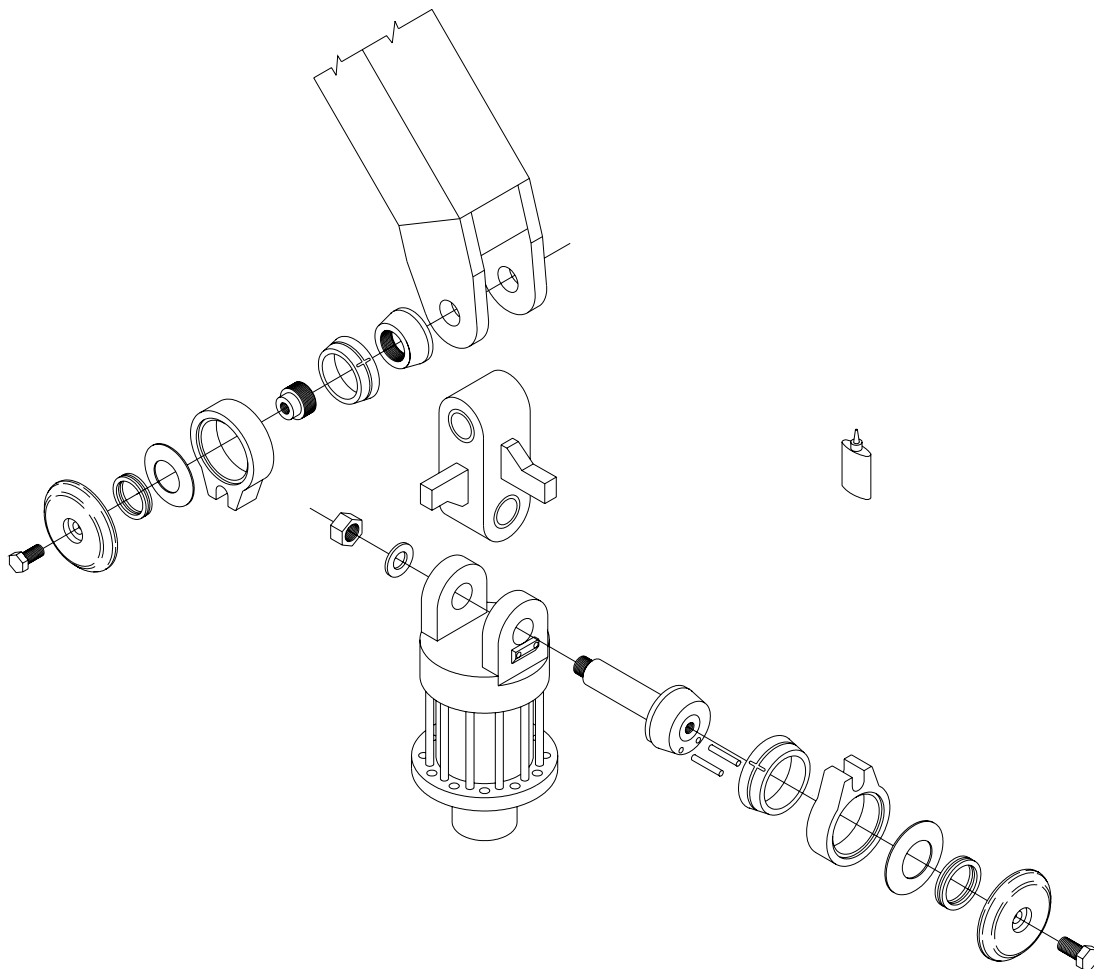
ITEM	PART#	DESCRIPTION	QTY
1	B3350	SNUBBER ASSEMBLY, 35 mm PIN (1.032" SLOT)	1
2	B3T-480	LINK, 80/35 mm – 100/45 mm 190 PIN CENTERS	1
	B3T-465	BUSHING, 35 mm I.D.	2
	B3T-470	BUSHING, 45 mm I.D.	2

**EXTERNAL MOUNT**

**350 SERIES**

**B3350- 5**

NORTH AMERICA - USE WITH INDEXATOR ROTATORS GV6, GV11, GV104, GV12  
 LINK 80 mm WIDE @ ROTATOR EARS, 35 mm BUSHING I.D.  
 LINK 100 mm WIDE @ CRANE NOSE, 45 mm BUSHING I.D.



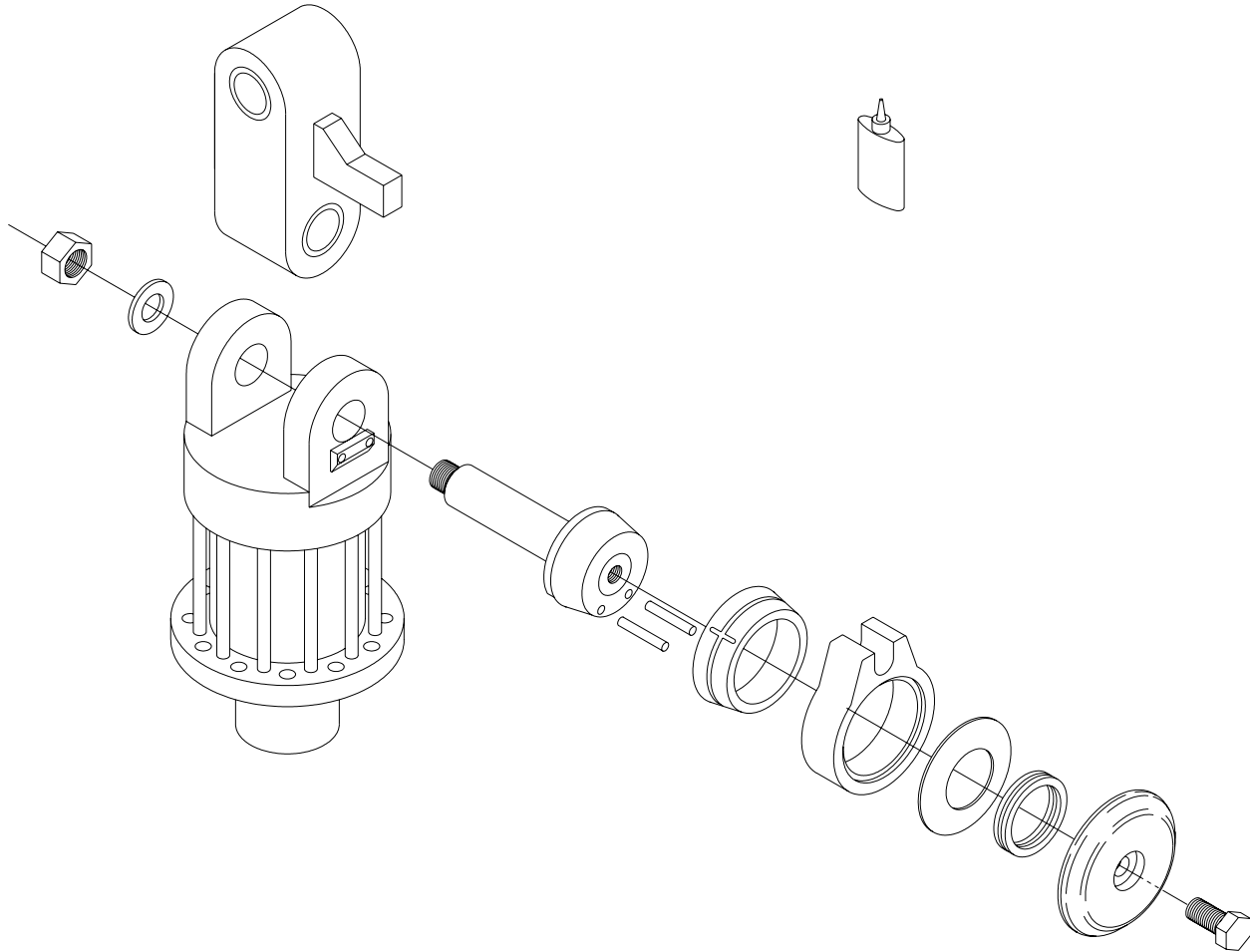
ITEM	PART#	DESCRIPTION	QTY
1	B3350	SNUBBER ASSEMBLY, 35 mm PIN (1.032" SLOT)	1
2	B3T-480	LINK, 80/35 mm – 100/45 mm 190 PIN CENTERS	1
	B3T-465	BUSHING, 35 mm I.D.	2
	B3T-470	BUSHING, 45 mm I.D.	2
3	B3300	SNUBBER ASEMBLY, WELD ON (1.032" SLOT) 16mm BOLT	1

**EXTERNAL MOUNT**

**350 SERIES**

**B3350- 6**

EUROPE - USE WITH INDEXATOR ROTATORS GV6, GV11, GV104, GV12  
 LINK 80 mm WIDE @ ROTATOR EARS, 35 mm BUSHING I.D.  
 LINK 80 mm WIDE @ CRANE NOSE, 35 mm BUSHING I.D.  
 1 DIRECTION, SIDE TO SIDE



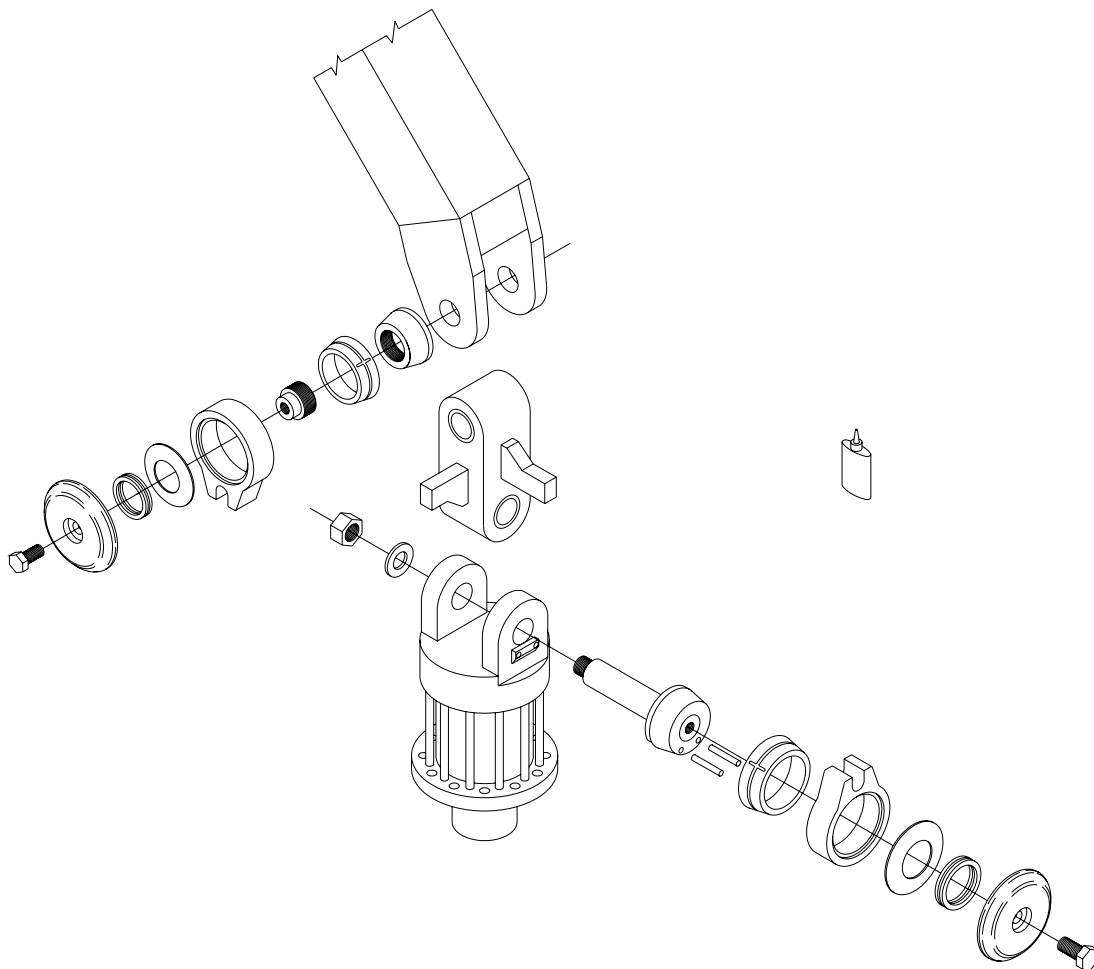
ITEM	PART#	DESCRIPTION	QTY
1	B3350-1	SNUBBER ASSEMBLY, 35 mm PIN (25mm SLOT)	1
2	B3T-475	LINK, 80/35 mm – 80/35 mm 190 PIN CENTERS	1
	B3T-465	BUSHING, 35 mm I.D.	4

**EXTERNAL MOUNT**

**350 SERIES**

**B3350-7**

EUROPE - USE WITH INDEXATOR ROTATORS GV6, GV11, GV104, GV12  
 LINK 80 mm WIDE @ ROTATOR EARS, 35 mm BUSHING I.D.  
 LINK 80 mm WIDE @ CRANE NOSE, 35 mm BUSHING I.D.



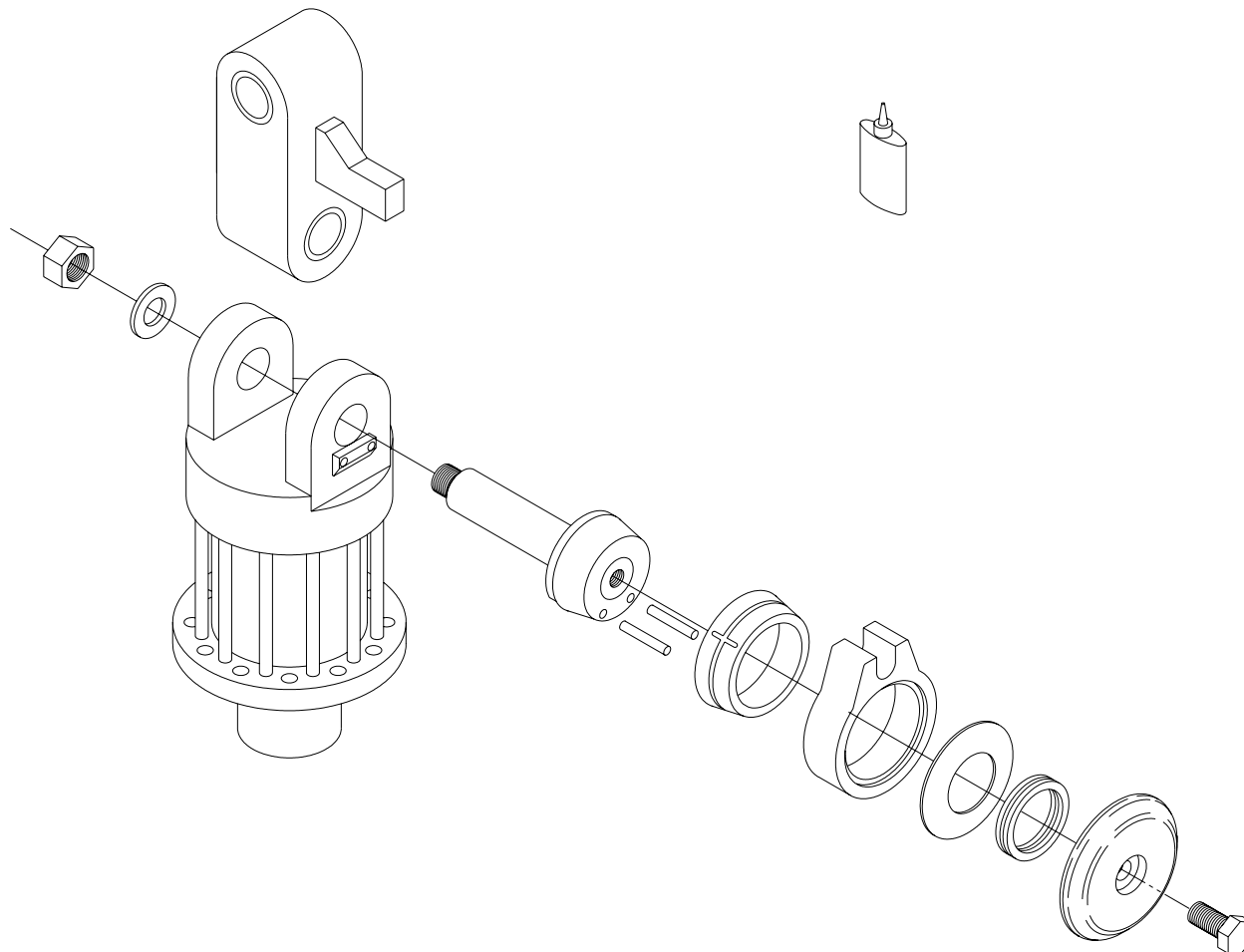
ITEM	PART#	DESCRIPTION	QTY
1	B3350-1	SNUBBER ASSEMBLY, 35 mm PIN (25mm SLOT)	1
2	B3T-475	LINK, 80/35 mm – 80/35 mm 190 PIN CENTERS	1
	B3T-465	BUSHING, 35 mm I.D.	4
3	B3300-2	SNUBBER ASEMBLY, WELD ON (25mm SLOT) 16mm BOLT	1

**EXTERNAL MOUNT**

**350 SERIES**

**B3350- 8**

EUROPE - USE WITH INDEXATOR ROTATORS GV6, GV11, GV104, GV12  
 LINK 80 mm WIDE @ ROTATOR EARS, 35 mm BUSHING I.D.  
 LINK 100 mm WIDE @ CRANE NOSE, 45 mm BUSHING I.D.  
 1 DIRECTION, SIDE TO SIDE



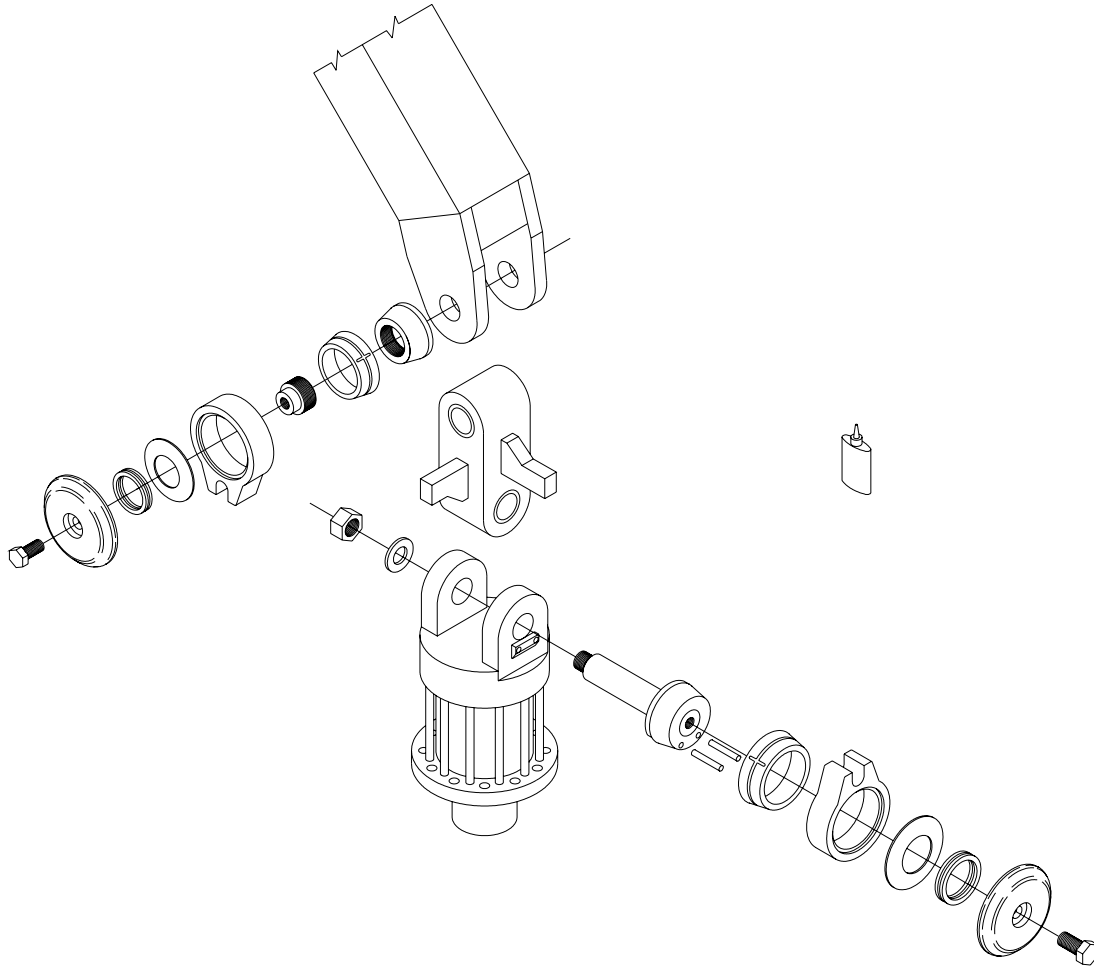
ITEM	PART#	DESCRIPTION	QTY
1	B3350-1	SNUBBER ASSEMBLY, 35 mm PIN (25mm SLOT)	1
2	B3T-480	LINK, 80/35 mm – 100/45 mm 190 PIN CENTERS	1
	B3T-465	BUSHING, 35 mm I.D.	2
	B3T-470	BUSHING, 45 mm I.D.	2

**EXTERNAL MOUNT**

**350 SERIES**

**B3350- 9**

EUROPE - USE WITH INDEXATOR ROTATORS GV6, GV11, GV104, GV12  
 LINK 80 mm WIDE @ ROTATOR EARS, 35 mm BUSHING I.D.  
 LINK 100 mm WIDE @ CRANE NOSE, 45 mm BUSHING I.D.



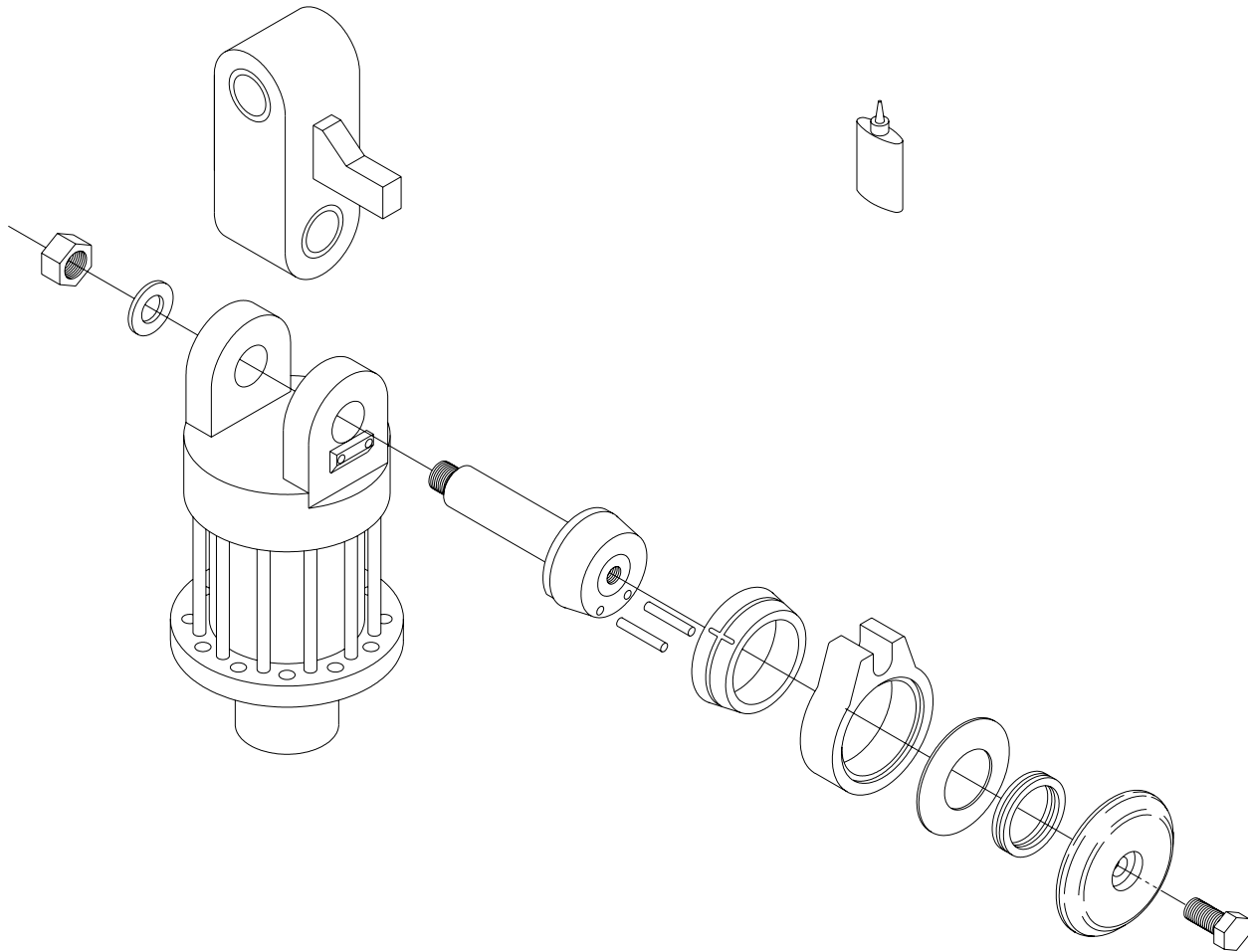
ITEM	PART#	DESCRIPTION	QTY
1	B3350-1	SNUBBER ASSEMBLY, 35 mm PIN (25mm SLOT)	1
2	B3T-480	LINK, 80/35 mm – 100/45 mm 190 PIN CENTERS	1
	B3T-465	BUSHING, 35 mm I.D.	2
	B3T-470	BUSHING, 45 mm I.D.	2
3	B3300-2	SNUBBER ASEMBLY, WELD ON (25mm SLOT) 16mm BOLT	1

**EXTERNAL MOUNT**

**350 SERIES**

**B3350-10**

NORTH AMERICA - USE WITH INDEXATOR ROTATORS GV6, GV11, GV104, GV12  
 LINK 80 mm WIDE @ ROTATOR EARS, 35 mm BUSHING I.D.  
 LINK 80 mm WIDE @ CRANE NOSE, 45 mm BUSHING I.D.  
 1 DIRECTION, SIDE TO SIDE



ITEM	PART#	DESCRIPTION	QTY
1	B3350	SNUBBER ASSEMBLY, 35 mm PIN (1.032" SLOT)	1
2	B3T-580	LINK, 80/35 mm – 80/45 mm 190 PIN CENTERS	1
	B3T-465	BUSHING, 35 mm I.D.	4

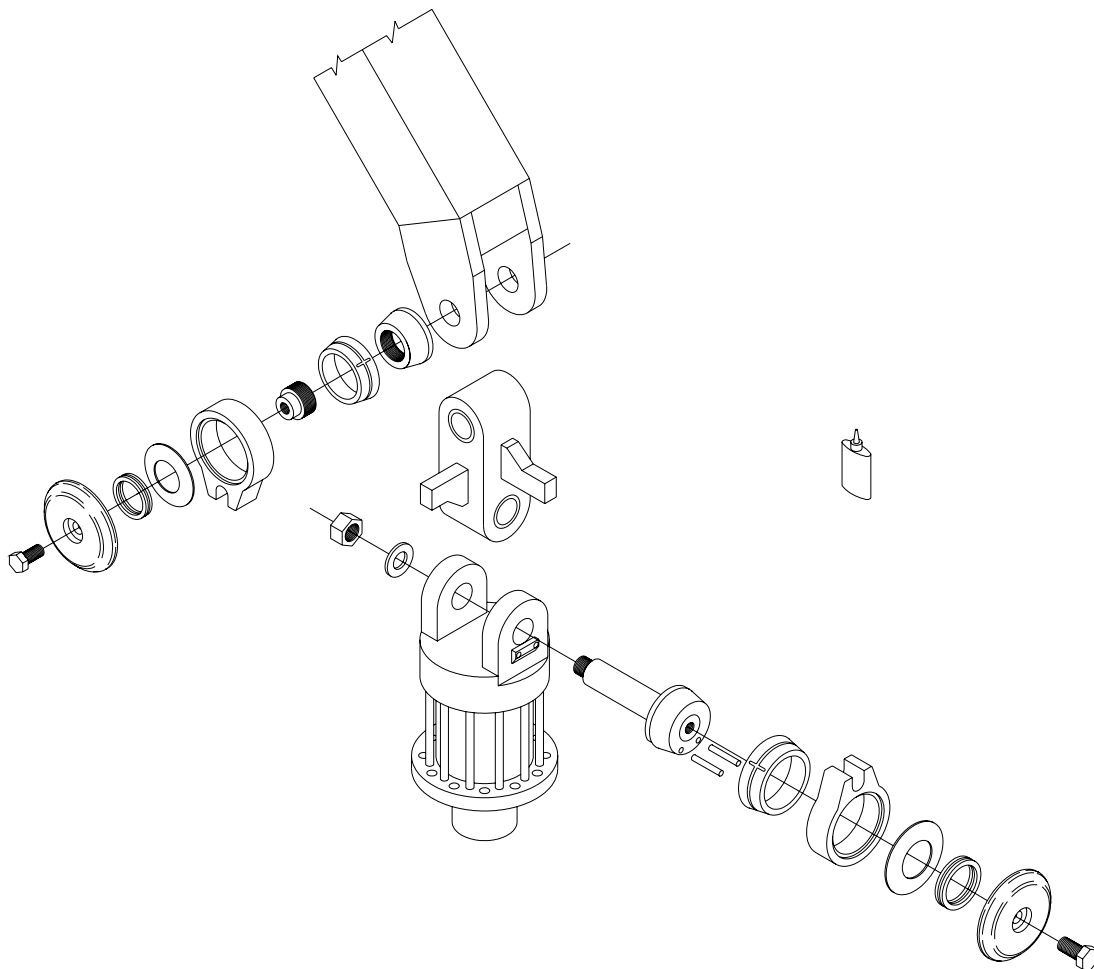


**EXTERNAL MOUNT**

**350 SERIES**

**B3350-11**

NORTH AMERICA - USE WITH INDEXATOR ROTATORS GV6, GV11, GV104, GV12  
 LINK 80 mm WIDE @ ROTATOR EARS, 35 mm BUSHING I.D.  
 LINK 80 mm WIDE @ CRANE NOSE, 45 mm BUSHING I.D.



ITEM	PART#	DESCRIPTION	QTY
1	B3350	SNUBBER ASSEMBLY, 35 mm PIN (1.032" SLOT)	1
2	B3T-580	LINK, 80/35 mm – 80/45 mm 190 PIN CENTERS	1
	B3T-465	BUSHING, 35 mm I.D.	2
	B3T-470	BUSHING, 45 mm I.D.	2
3	B3300	SNUBBER ASEMBLY, WELD ON (1.032" SLOT) 16mm BOLT	1